

# INTERAPID® 312 Dial Test Indicators (Lever-Type)



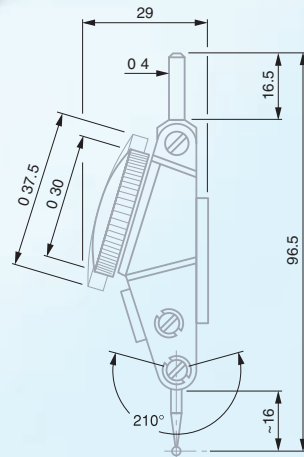
Very large measuring span – Ideal for inspecting all significant size variations, e.g. on the surface plate – Measure positional, form and shape errors.

- For measurement at 12°.
- With revolution counter.
- Inclined, easy-to-read dial.
- One piece, solid case.
- High rigidity.
- Very high sensitivity, very light measuring pressure.
- Jeweled mechanism fitted with ball-bearings.
- Fully reversible, swiveling through 210° without reversing lever.
- Hard steel or tungsten carbide contact points.
- Variety of mounting positions.



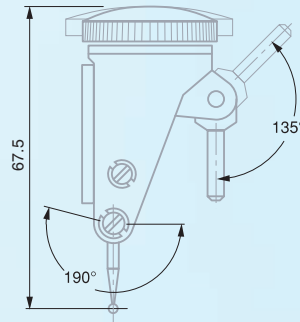
## Horizontal Model

Time-tested dial test indicator (lever-type) with dial face mounted parallel to the insert axis.



## Vertical Model

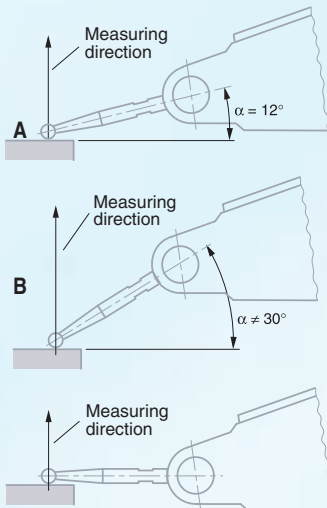
Dial test indicator (lever-type) with dial face mounted at right angle to the insert axis.







### Angular position of 12° for stylus insert

The models INTERAPID 312 are designed to give a true reading when the angle between the stylus and the workpiece surface is 12° (Fig. A).

In other measuring positions, including the parallel position of the stylus against the workpiece surface, the values read have to be corrected (Fig. B).



## Technical Data

	0.01 mm		0.002 mm	
	Pointer Revolution 1	Pointer Revolution 2	Pointer Revolution 1	Pointer Revolution 2
 Deviation range Total deviation range	10 µm	20 µm	4 µm	8 µm
	13 µm	23 µm	6 µm	10 µm
 Repeatability limit	3 µm		1 µm	
 Max. hysteresis	3 µm		2 µm	
 Measuring force	0.12 N		0.25 N	



Rotating dial

Very low measuring force as in the table on page E-45

Lever system with friction drive preventing from overload

Accuracy: see table on page E-45

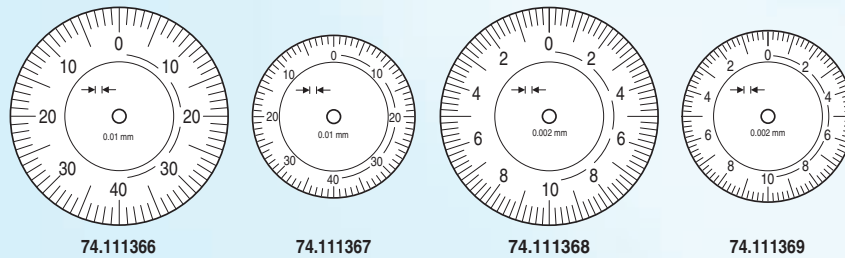
Supplied in a plastic case with:  
1 insert with a .080 in / 2 mm dia. in hardened steel  
1 key No. 18.60307

Identification number

Declaration of conformity

## INTERRAPID® 312 Horizontal Models

			Series				
74.111370	42775	312b-1	0.0005	0.060	1.5	0 - 15 - 0	0.65
74.111371	86150	312b-2	0.0005	0.060	1.2	0 - 15 - 0	0.65
74.111965	41716	312b-15	0.0005	0.060	1.5	0 - 15 - 0	2.675
74.111374	41682	312b-20	0.001	0.060	1.2	0 - 15 - 0	0.65
74.111372	41680	312b-3	0.0001	0.016	1.5	0 - 4 - 0	0.65
74.111373	41681	312b-4	0.0001	0.016	1.2	0 - 4 - 0	0.65
74.111366	41674	312-1	0.01	1.6	37.5	0 - 40 - 0	16.5
74.111367	41675	312-2	0.01	1.6	30.0	0 - 40 - 0	16.5
74.111368	42773	312-3	0.002	0.4	37.5	0 - 10 - 0	15.2
74.111369	42774	312-4	0.002	0.4	30.0	0 - 10 - 0	15.2



## INTERRAPID® 312 Vertical Models

74.111377	41685	0.0005	0.060	1.5	0 - 15 - 0	0.65
74.111378	41686	0.0005	0.060	1.2	0 - 15 - 0	0.65
74.111958	41715	0.0005	0.060	1.5	0 - 15 - 0	2.675
74.111379	41687	0.001	0.060	1.2	0 - 15 - 0	0.65
74.111957	41714	0.0001	0.016	1.5	0 - 4 - 0	0.65
74.111375	41683	0.01	1.6	37.5	0 - 40 - 0	16.5
74.111376	41684	0.01	1.6	30.0	0 - 40 - 0	16.5

