



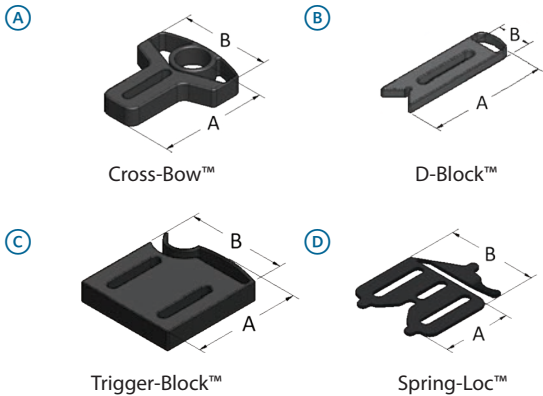
-  Spring Clamps
-  Hold Downs

Work-Holding Sets and Components for CMM and Vision

Inspection Arsenal® provides an arsenal of tools to fight inefficiency and waste. Set up quickly and cleanly with **Trigger-Block™**, **Cross-Bow™**

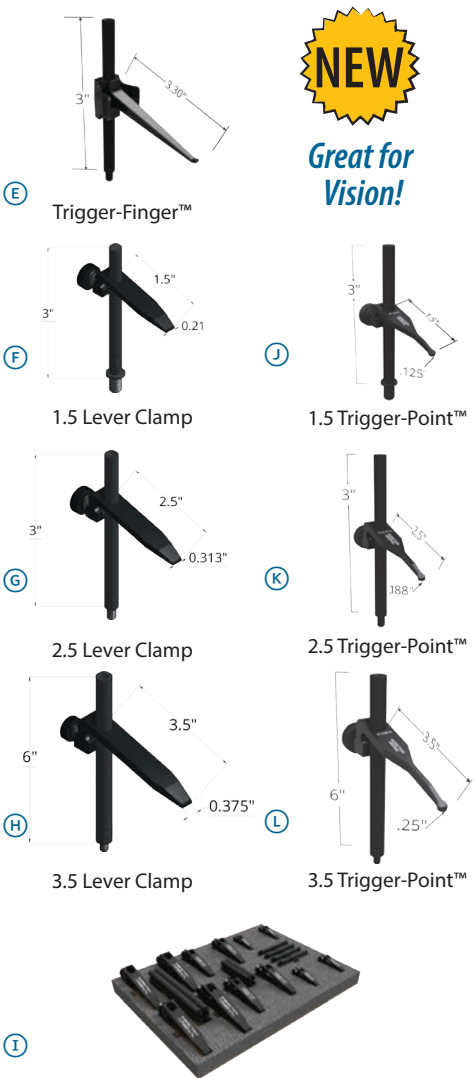
and **D-Block™** non-marring spring clamps, **Trigger-Finger™** hold-down, **Silver-Bullet™** stand-offs, and **Simple-Stop™** low-profile rails and stops.

Spring Clamps



Spring Clamps				
Inch: 1/4-20, dimensions in inch				
Part #	Description	A	B	Qty.
CRBW-30	(A) Cross-Bow™ spring clamp	3.03	2.54	8
D-BLK-30	(B) D-Block™ spring-stop	3.55	1.00	8
TRBL-30	(C) Trigger-Block™ spring clamp	2.76	2.57	6
SPR-LOC	(D) Spring-Loc™ low-profile clamp	1.88	2.50	2
Metric: M6, dimensions in mm				
CRBW-30M	(A) Cross-Bow™ spring clamp	77	65	8
D-BLK-30M	(B) D-Block™ spring-stop	90	25	8
TRBL-30M	(C) Trigger-Block™ spring clamp	70	65	6
SPR-LOC_M	(D) Spring-Loc™ low-profile clamp	47	64	2

Hold Downs - Trigger-Finger™, Trigger-Point™, Lever Clamps



Trigger-Finger™ Hold-Downs		Inch: 1/4-20 thread	
Part #	Description	Qty.	
TRFN-20	(E) Trigger-Finger™ w/3" steel shaft	4	
TRFN-15	Trigger-Finger™ without shaft	4	
Trigger-Finger™ Hold-Downs		Metric: M6 thread	
TRFN-20M	Trigger-Finger™ w/ 76mm steel shaft	4	
TRFN-15M	Trigger-Finger™ without shaft	4	
Lever Clamps	Trigger-Point™	Inch: 1/4-20 thread	
Part #		Lever Clamps and Trigger-Point™ Description	
LC-1.50	LC-1.50-TP	(F)(J) 1.5" Hold-down w/ 3" shaft	1
LC-SET-4-1.50	LC-SET-4-1.50-TP	1.5" Hold-down SET of 4 w/ 3" shafts	4
LC-2.50	LC-2.50-TP	(G)(K) 2.5" Hold-down w/ 3" shaft	1
LC-SET-4-2.50	LC-SET-4-2.50-TP	2.5" Hold-down SET of 4 w/ 3" shafts	4
LC-3.50	LC-3.50-TP	(H)(L) 3.5" Hold-down w/ 6" shaft	1
LC-SET-4-3.50	LC-SET-4-3.50-TP	3.5" Hold-down SET of 4 w/ 6" shafts	4
LC-SET-6	LC-SET-6-TP	2 Sets of 3 Hold-downs, 1.5, 2.5, 3.5"	6
LC-SET-12	LC-SET-12-TP	(I) 4 Sets of 3 Hold-downs, 1.5, 2.5, 3.5"	12
Lever Clamps	Trigger-Point™	Metric: M6 thread	
LC-1.50-M	LC-1.50-TP-M	(F)(J) 1.5" Hold-down w/ 3" shaft, M6	1
LC-SET-4-1.50-M	LC-SET-4-1.50-TP-M	1.5" Hold-down SET of 4 w/ 3" shafts	4
LC-2.50-M	LC-2.50-TP-M	(G)(K) 2.5" Hold-down w/ 3" shaft, M6	1
LC-SET-4-2.50-M	LC-SET-4-2.50-TP-M	2.5" Hold-down SET of 4 w/ 3" shafts	4
LC-3.50-M	LC-3.50-TP-M	(H)(L) 3.5" Hold-down w/ 6" shaft	1
LC-SET-4-3.50-M	LC-SET-4-3.50-TP-M	3.5" Hold-down SET of 4 w/ 6" shafts	4
LC-SET-6-M	LC-SET-6-TP-M	2 Sets of 3 Hold-downs, 1.5, 2.5, 3.5"	6
LC-SET-12-M	LC-SET-12-TP-M	(I) 4 Sets of 3 Hold-downs, 1.5, 2.5, 3.5"	12