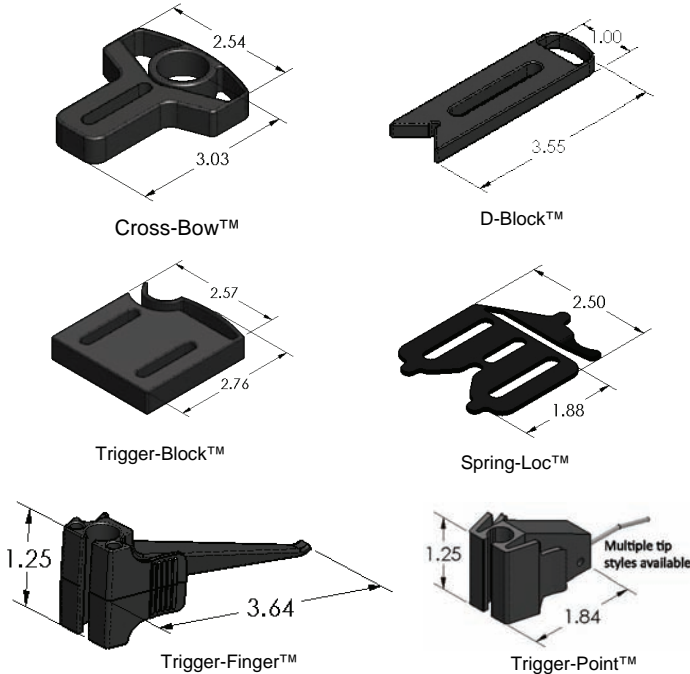
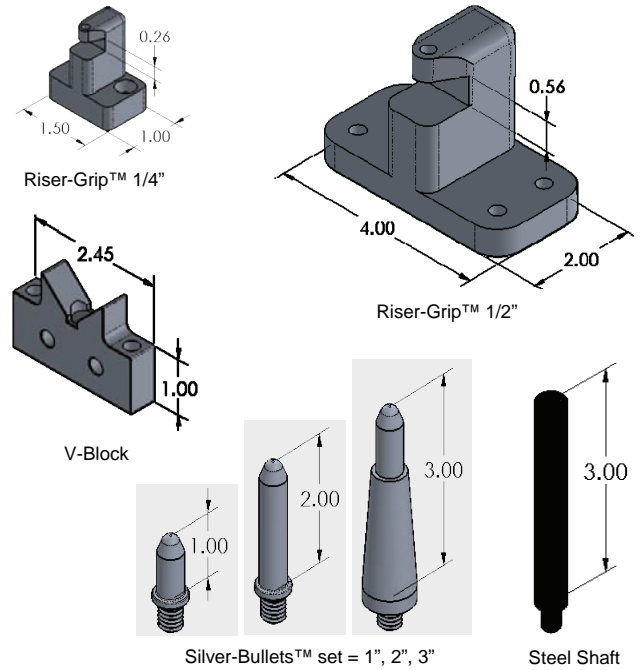


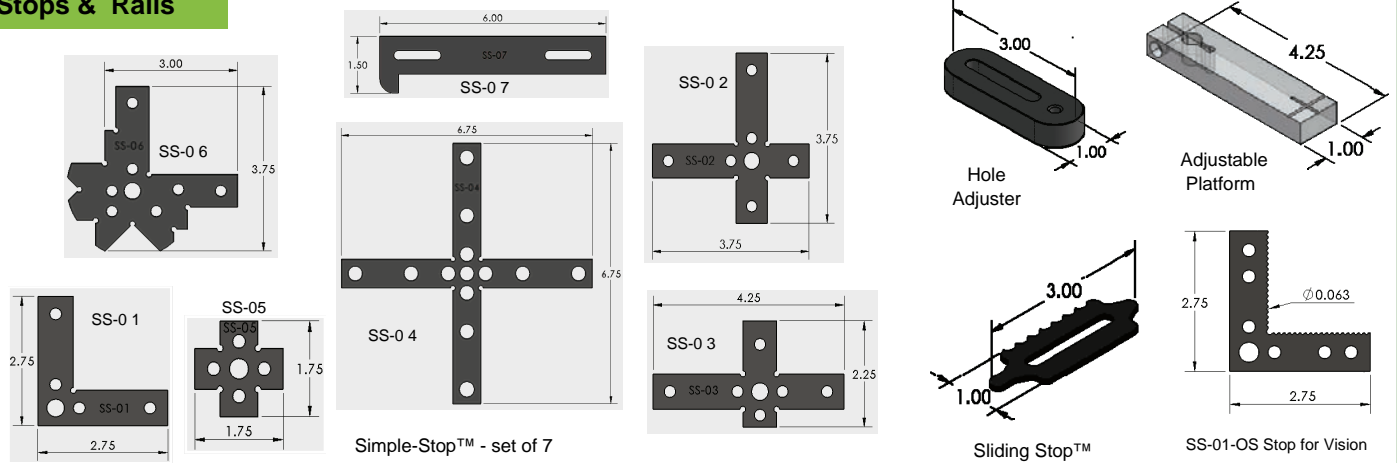
Spring Clamps



Risers & Stand-offs



Stops & Rails



WORK HOLDING SETS

Dimensions are Inch; screws are 1/4-20 (Inquire about Metric orders)

Part #	Description	Qty	Price
Spring Clamps			
CRBW-30	Cross-Bow™ Spring Clamp	8	\$ 59.00
D-BLK-30	D-Block™ Spring Stop	8	\$ 56.00
TRBL-30	Trigger-Block™ Spring Clamp	6	\$ 56.00
SPR-LOC	Spring-Loc™ Low-profile Clamp	2	\$ 79.80
TRFN-20	Trigger-Finger™ & steel shaft	4	\$ 99.90
TRPT-20	Trigger-Point™ & steel shaft	4	\$ 199.00
Risers & Stand-offs			
RG-250	Riser-Grip™ 1/4" opening riser	1	\$ 89.95
RG-500	Riser-Grip™ 1/2" opening riser	1	\$ 159.95
VB-001	V-Block 90° included angle	2	\$ 99.90
SIBU-SO-100	Silver-Bullet™ Stand-off (Set = 1, 2, 3")	4	\$ 199.00
TRFN-SHAFT	Steel shaft / stand-off	1	\$ 16.95

Part #	Description	Qty	Price
Stops & Rails			
SIST-RS-100	Simple-Stop™ Brushed Stainless Steel, Set of 7, #SS-01, SS-02, SS-03, SS-04, SS-05, SS-06, SS-07	7	\$ 199.00
SS-01-OS	Simple-Stop™ for Vision, serrated edge	1	\$ 69.95
HA-1420 / M6	Hole Adjuster for Trigger-Finger™	2	\$ 49.90
ADJ-PLT-10	Adjustable Platform for TRFN, TRPT	1	\$ 49.90
SLI-STOP	Sliding Stop™ Low-profile Stop	2	\$ 39.80
Not shown:			
SIBU-SO-100_SS	Silver-Bullet™ Stand-off (Set = 1, 2, 3") in Stainless Steel	4	\$ 539.00