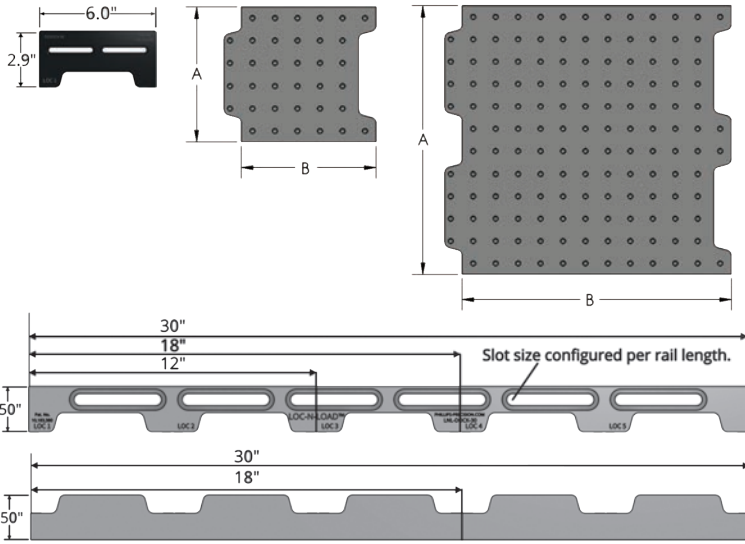


Loc-N-Load™ Fixture Plates and Docking Rails

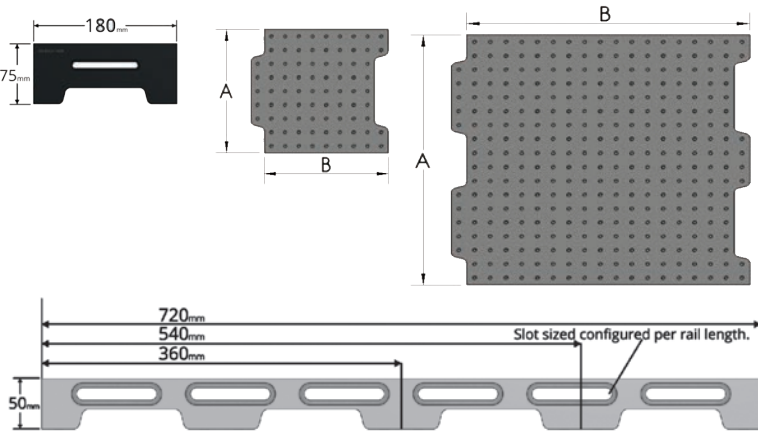
- Individual Docking Rails and Fixture Plates
- Accessory and Specialty Plates

Loc-N-Load™ fixture plates and docking rails can be ordered individually.

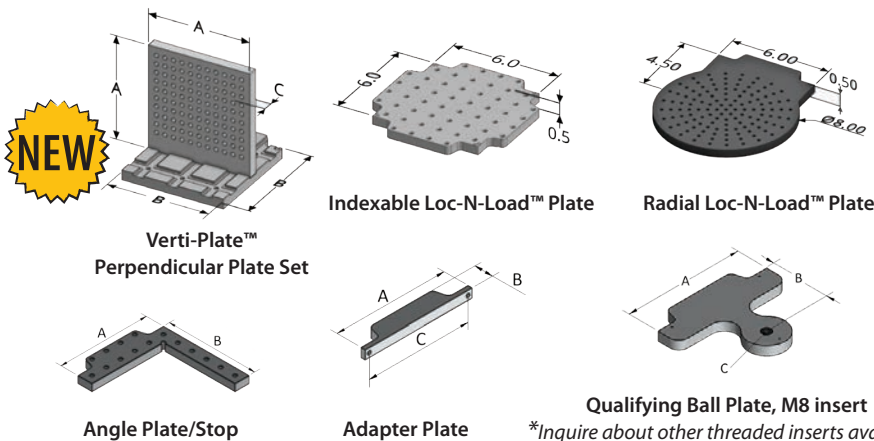
Inch Plates: 0.5" thick, 1/4-20 thread, 1" x 1" hole spacing



Metric Plates: 12.7 mm thick, M6 thread, 20 mm x 20 mm hole spacing



Accessory and Specialty Plates



Docking Rails and Fixture Plates			
Inch: dimensions in inch			
Part #	Description	A	B
Docking Rails and End Caps		Inch	Inch
OC-DOCK-06	Docking rail 6"	6	3
LNL-DOCK-12	Docking rail 12"	12	2
LNL-DOCK-18	Docking rail 18"	18	2
LNL-DOCK-30	Docking rail 30"	30	2
LNL-ENDCAP-18	End cap 18"	18	2
LNL-ENDCAP-30	End cap 30"	30	2

Fixture Plates			
LNL-PLT-0606	Fixture plate 6 x 6	6	6
LNL-PLT-0612	Fixture plate 6 x 12	6	12
LNL-PLT-0618	Fixture plate 6 x 18	6	18
LNL-PLT-1206	Fixture plate 12 x 6	12	6
LNL-PLT-1212	Fixture plate 12 x 12	12	12
LNL-PLT-1218	Fixture plate 12 x 18	12	18
LNL-PLT-1818	Fixture plate 18 x 18	18	18
LNL-PLT-1824	Fixture plate 18 x 24	18	24

Docking Rails and Fixture Plates			
Metric: dimensions in mm			
		mm	mm
OC-DOCK-M180	Docking rail 180	180	75
LNL-DOCK-M360	Docking rail 360	360	50
LNL-DOCK-M540	Docking rail 540	540	50
LNL-DOCK-M720	Docking rail 720	720	50
LNL-M180180	Fixture plate 180 x 180	180	180
LNL-M180360	Fixture plate 180 x 360	180	360
LNL-M360360	Fixture plate 360 x 360	360	360
LNL-M360540	Fixture plate 360 x 540	360	540

Accessory Plates				
Inch: dimensions in inch				
Part #	Description	A	B	C
LNL-ADPT-06	Adapter plate	6	1	5.5
LNL-ANGL-0603	Angle plate/stop	6	6	
LNL-QUAL-PLT*	Qualifying ball plate	6	3	M8 x 1.25
LNL-0606-4X	Indexable plate	6	6	
LNL-RND-0608	Radial plate	8	10	
LNL-PLT-0606-PERP	Verti-Plate™ Set	6	6	6

Metric: dimensions in mm				
LNL-ADPT-M6	Adapter plate	180	30	146.05
LNL-ANGL-M6	Angle plate/stop	180	180	
LNL-QUAL-PLT-M	Qualifying ball plate	180	80	M8 x 1.25
LNL-M180180-PERP	Verti-Plate™ Set	180	180	180

* Inquire about Metric for LNL-0606-4X, LNL-RND-0608