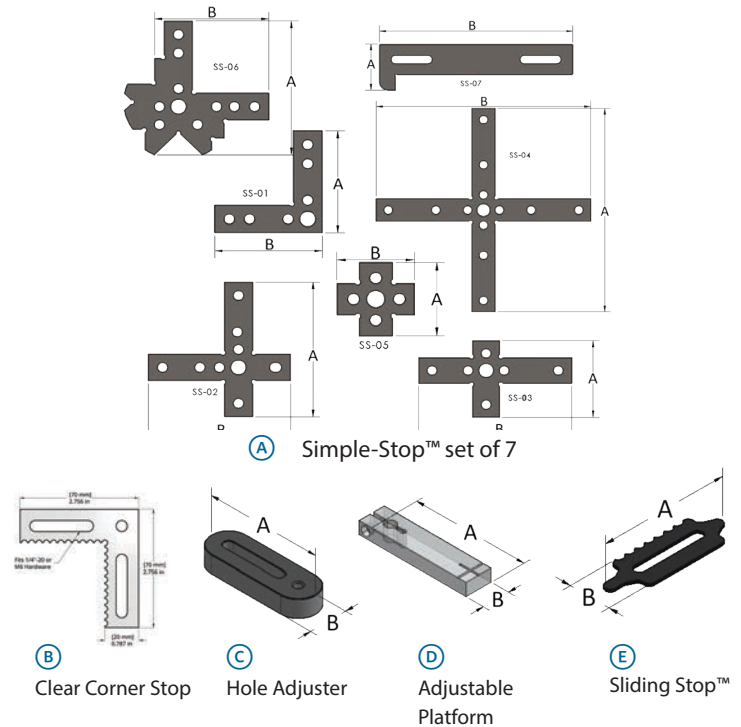


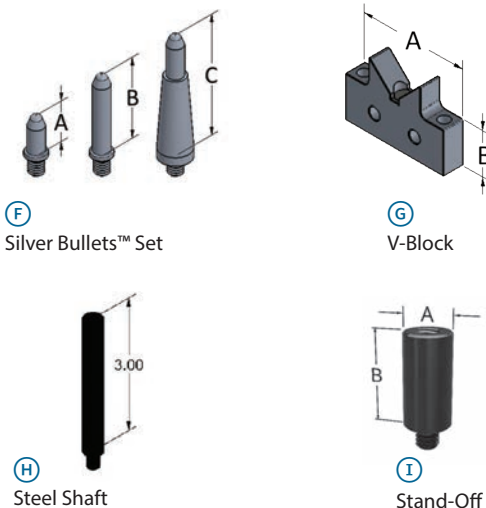
- Stops and Rails
- Risers and Stand-Offs

Stops and Rails Inch: 1/4-20, dimensions in inch				
Part #	Description	A	B	Qty.
SIST-RS-100	(A) Simple-Stop™ brushed stainless steel. Set of 7, SS-01, SS-02, SS-03, SS-04, SS-05, SS-06, SS-07			7
SS-01-OS	Simple-Stop™ w/serrated edge	2.75	2.75	1
SS-02	Simple-Stop™	3.75	3.75	1
SS-03	Simple-Stop™	2.25	4.25	1
SS-04	Simple-Stop™	6.75	6.75	1
SS-05	Simple-Stop™	1.75	1.75	1
SS-06	Simple-Stop™	3.75	3	1
SS-07	Simple-Stop™	1.5	6	1
SS-01-PC	(B) Clear Corner Stop, polycarbonate	2.756	.787	1
HA-1420	(C) Hole adjuster	3	1	2
ADJ-PLT-10	(D) Adjustable platform for TRFN, TRPT	4.25	1	1
SLI-STOP	(E) Sliding Stop™ low-profile stop	3	1	2
Stops and Rails Metric: M6, dimensions in mm				
SIST-RS-100M	Simple-Stop™ brushed stainless steel. Set of 7, SS-01M, SS-02M, SS-03M, SS-04M, SS-05M, SS-06M, SS-07M			7
SS-01OSM	Simple-Stop™ w/serrated edge	70	70	1
SS-02M	Simple-Stop™	95	95	1
SS-03M	Simple-Stop™	60	60	1
SS-04M	Simple-Stop™	180	180	1
SS-05M	Simple-Stop™	52	52	1
SS-06M	Simple-Stop™	94	94	1
SS-07M	Simple-Stop™	30	150	1
SS-01-PC	Clear Corner Stop, polycarbonate	70	20	1
HA-M6	Hole adjuster	76	25	2
ADJ-PLT-10M	Adjustable platform for TRFN, TRPT	108	25	1
SLI-STOP_M	Sliding Stop™ low-profile stop	76	25	2

Stops and Rails



Risers and Stand-Offs



Risers and Stand-Offs Inch: 1/4-20, dimensions in inch					
Part #	Description	A	B	C	Qty.
SIBU-SO-100	(F) Silver-Bullet™ module, set of 12	1	2	3	12
SIBU-SO-1	Silver-Bullet™ stand-off set	1			4
SIBU-SO-2	Silver-Bullet™ stand-off set		2		4
SIBU-SO-3	Silver-Bullet™ stand-off set			3	4
VB-001	(G) V-Block 90° included angle	2.45	1		2
TRFN-SHAFT-10	(H) 3" steel shaft, sold individually	3			1
TRFN-SHAFT-20	3" steel shaft, set of 4	3			4
STOF-050-400	(I) Steel Stand-off	4	.5	1/4 -20	1
STOF-050-600	Steel Stand-off	6	.5	1/4 -20	1
STOF-075-400	Steel Stand-off	4	.75	1/4 -20	1
STOF-075-600	Steel Stand-off	6	.75	1/4 -20	1
Risers and Stand-Offs Metric: M6, dimensions in mm					
SIBU-SO-100_M	Silver-Bullet™ module, set of 12	25	50	75	12
SIBU-SO-25MM	Silver-Bullet™ stand-off	25			4
SIBU-SO-50MM	Silver-Bullet™ stand-off		50		4
SIBU-SO-75MM	Silver-Bullet™ stand-off			75	4
VB-001M	V-Block 90° included angle	62	25		2
TRFN-SHAFT-10M	Steel shaft, sold individually	76			1
TRFN-SHAFT-20M	Steel shaft, set of 4	76			4
STOF-050-M100	Steel Stand-off	100	12.7	M6 x 1.0	1
STOF-050-M150	Steel Stand-off	150	12.7	M6 x 1.0	1
STOF-075-M100	Steel Stand-off	100	19	M6 x 1.0	1
STOF-075-M150	Steel Stand-off	150	19	M6 x 1.0	1