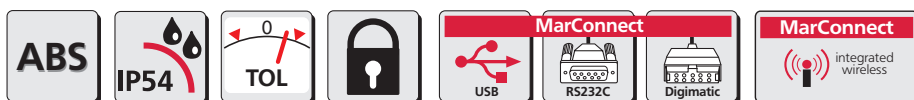


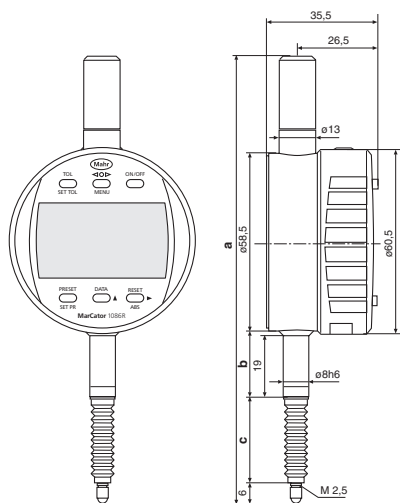
Digital Indicators MarCator 1086 WRi / 1086 WR, Waterproof version



REFERENCE



Integrated wireless has been approved in: the EU, EFTA, Turkey, USA, Mexico, Canada, Brazil, Japan, China and Korea.



* Only available in conjunction with 1086 WRi indicators

Dimensions

Meas. range		a	b	c
mm	(inch)	mm	mm	mm
12.5	(.5")	144.3	23	28.6
25	(1")	193.2	26.8	50

Features

Functions:

- ON/OFF
 - RESET (Set display to zero)
 - mm/inch
 - Reversal of the counting direction
 - PRESET (Allows the entry of any value using set buttons)
 - TOL (Enter tolerance limit values)
 - ABS (Display can be set to zero, without losing the reference to the Preset value)
 - <0> (Tolerance GO / NO GO display mode)
 - DATA (when connected with a data connection cable)
 - Factor (adjustable)
 - Integrated Wireless data transmission*
 - Immediate measurement due to the Reference system
 - Individual buttons can be locked - Lock Function
 - Operating and display unit (bezel) can be rotated 280°
 - High contrast LCD with 11 mm high digits
 - Inductive measuring system, battery life ca. 2000 hrs.
 - Maximum measuring speed 1.5 m/s (60"/s)
 - Sealed protection cap
 - Measuring spindle is sealed with a rubber bellows, thus preventing contamination by liquids and impurities
 - MarConnect data output: choose either: USB, OPTO RS232C, Digimatic or Integrated Wireless*
 - Operating temperature 10 - 40°C
 - Class of protection IP54 in accordance to IEC 60529
- Supplied with:
Battery, operating instructions

Technical Data

Measuring range		Resolution switchable	Span of error*	Repeatability	Measuring force	Weight	Order no.	Order no.
mm	(inch)						WRi**	WR
12.5	(.5")	0.0005 / 0.001 / 0.002 / 0.005 / 0.01 mm .00002" / .00005" / .0001" / .0002" / .0005"	0.004	0.001	0.65 - 1.40	135	4337142	4337640
25	(1")						4337143	4337641

* in any zero point

** To use the integrated wireless function an i-Stick Wireless Receiver is required, see page 5-56