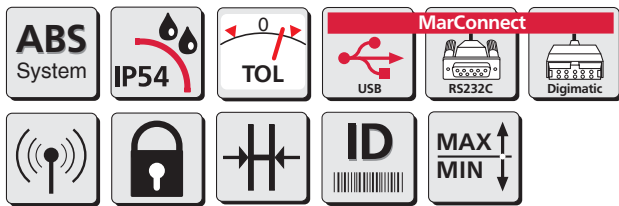


## Inductive Digital Comparator $\mu$ Max $\mu$ m® II



### Features

#### Functions:

- Inch/Metric – operator selectable with switchable resolution.
- Normal / Reverse Sensing
- Preset capabilities to view actual size
- “Absolute” Transducer – no overspeed errors or constant re-zeroing. Transducer always remembers its location, even if power is off
- High resolution digital readout and analog bar graph – digital display shows deviation from zero or actual dimension size (Preset)
- Lightweight, contamination resistant – ruggedly built to withstand hard use – gasketed case, crystal and stem assemblies resist fluid contamination
- Calibratable – if ever needed – values remembered even after battery change.
- MarConnect data output: USB, OPTO RS232C, Digimatic
- Auto-power down – provides extremely low battery consumption, assuring long life from readily available commercial batteries.
- Increased resolution (0.0002 mm / 10  $\mu$ inch) for today’s demanding tolerances
- Unilateral Tolerances
- Go/NoGo Display Feature

#### Mode A:

Actual value + bargraph  
Display of tolerance



#### Mode B:

GO/NOGO display



#### Advanced Functions:

- Dynamic mode operation: Max, Min, TIR
- Two point difference measurement – provides comparison of two readings or measuring locations.
- $\oplus$  - Calculate the distance between 2 measured values
- Multiplier factor for ratio measurements
- Hold function – holds reading on display until ready to resume measuring
- $\text{ID}$  Data output with serial number identification capability
- Data output with selectable continuous output or single request of reading(s)

#### Optional Factory Configured Features:

- Locked Multiplier factor for ratio measurements
- Disabled sleep mode (manual ON/OFF)
- Locked inch or mm display unit
- Power up in inch or mm unit on battery change
- Calibration mode lockout (with password entry)
- Setup mode lockout with password entry

### Technical Data

Model	Range		Resolution		Accuracy % of digital range	Stem diameter	Stem Length		Order no.
	mm	inch	mm	inch			mm	inch	
Standard						0.375"	11.7	0.46"	2034101
Standard						0.375"	38.0	1.50"	2034103
Standard			0.0002	0.00001"	±0.25% over	8 mm	11.7	0.46"	2034105
Standard			0.0005	0.00002"					
			0.001	0.00005"	±0.50 mm / ±0.020"	8 mm	11.7	0.46"	2034107
			0.002	0.0001"					
Advanced	±1.00	±0.040"	0.002	0.0001"	±0.50 mm / ±0.020"	0.375"	11.7	0.46"	2034201
Advanced			0.005	0.0002"					
Advanced			0.01	0.0005"	±1.00 mm / ±0.040"	0.375"	38.0	1.50"	2034203
Advanced			0.02	0.001"					
Advanced					±1.00 mm / ±0.040"	8 mm	11.7	0.46"	2034205
Advanced									
Advanced Perpendicular						8 mm	38.0	1.50"	2034207
						0.375"	11.7	0.46"	2034401

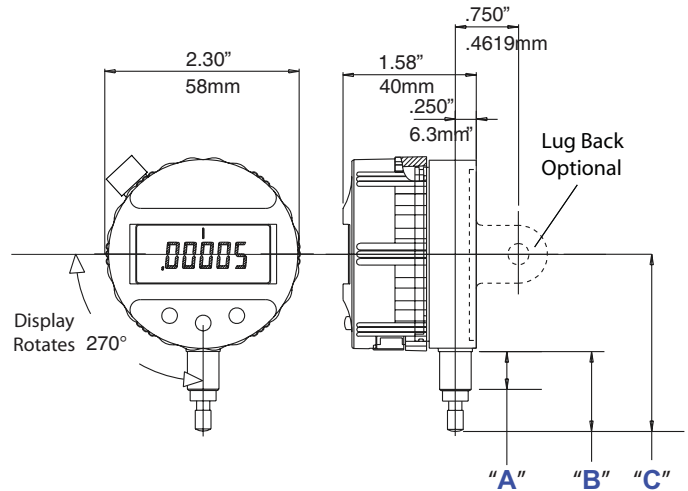
## Technical Data

**Display Range:** ±1.067 mm / **±0.042"**  
**Spindle Range:** -1.25 to 1.50 mm / **-0.050 to +0.060"**  
**Resolution:** 0.0002 mm / **0.00001"**  
**Accuracy:** ±0.5mm range: 1.25µm (0.25%)  
 ±1.0mm range: 5.0µm (0.50%)  
**(% of range)** **±0.020" range: 50µin (0.25%)**  
**±0.040" range: 200µin (0.50%)**  
**Gaging Force:** 85 to 122 g (grams) - at center of travel  
**3 to 4 oz (ounce)** - at center of travel  
**Weight:** 170 g / **6 oz**  
**Spindle Velocity:** Unrestricted  
**Temperature Operating:** 5° to 54°C / **40° to 130°F**  
**Storage:** -17° to 60°C / **0° to 140°F**  
**Repeatability:** ± 1 LSD (Least Significant Digit)  
**Battery Life:** 6000 hours  
 ~ 12 months normal usage\*

**Contact Point:** (PT-223 radiused tip, 4-48 thread, furnished on 0.375" dia. stem model)  
**EPT-1037-W1** radiused tip, M2.5 thread furnished on 8 mm dia. stem model  
**Power:** 3 volt lithium coin cell (2 per unit), type CR 2450. Order no. **EBY-1018**  
**Display:** Rotates through 270°

\* normal usage= 12 hr/day x 7 day/wk

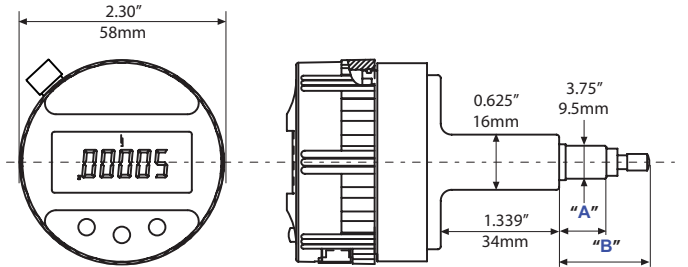
### Standard Model



For contact points please refer to pages 5-25, 5-27, 5-25 & 5-53

Dimensions mm / inch	A	B	C
	11.7 / <b>0.46"</b>	24.1 / <b>0.95"</b>	53.6 / <b>2.11"</b>
	38.0 / <b>1.50"</b>	57.2 / <b>2.25"</b>	86.6 / <b>3.41"</b>

### Perpendicular Model



## Accessories

	Order no.		Order no.
<b>Backs:</b>		<b>Other Hardware:</b>	
<b>Flat Back</b> (Standard on all models)	<b>EBK-1018</b>	<b>Splash Cover</b>	<b>ECV-1307-W2</b>
<b>Post Back</b> (0.5" dia. x 1" long)	<b>EBK-1012</b>	<b>Adaptor Bushing</b> (8 mm to 3/8")	<b>BU-197</b>
<b>Lug Back</b> (Horizontal / Vertical)	<b>EBK-1010</b>	<b>Thread Adaptor</b> (M2.5 to 4-48 thread)	<b>AD-185</b>
<b>Screw Back</b> (11/16" dia x 0.5", 1/4-28 thread)	<b>EBK-1013</b>	<b>Spring</b> (for lighter gaging force: 35g)	<b>SP-351</b>
<b>Adj. Slide Back</b> (0.5" slot, 1/4-20 thread)	<b>EBK-1016</b>		
<b>Adj. Rack Back*</b>	<b>EBK-1014</b>		
* used on SE-33 or SE-73 - Sold separately.			
<b>Data Interface:</b>		<i>For further mounting accessories refer to page 6-13</i>	
<b>USB Cable</b> (for MarCom or PC, 2m length)	<b>4346023</b>		
<b>RS232 Cable</b> (10 pin plug, 2m length)	<b>4346020</b>		
<b>Digimatic Cable</b> (10 pin plug, 2m length)	<b>4346021</b>		
<b>Transmitter</b> (Mahr t, used w/ FM1 Receiver)	<b>2121369</b>		