

# Digimatic Height Gage

## SERIES 192 — Multi-Function Type with SPC Data Output



### FEATURES

- Highly versatile multi-function type.
- Carbide-tipped long scriber is provided.
- Rigid construction ensures repeatable measurement.
- Switchable resolution.
- Coarse/fine feed switching.
- Bi-directional touch-signal probe is an optional accessory. It can quickly and accurately measure steps, inside width, and outside width.
- With SPC data output.
- Two preset reference height.



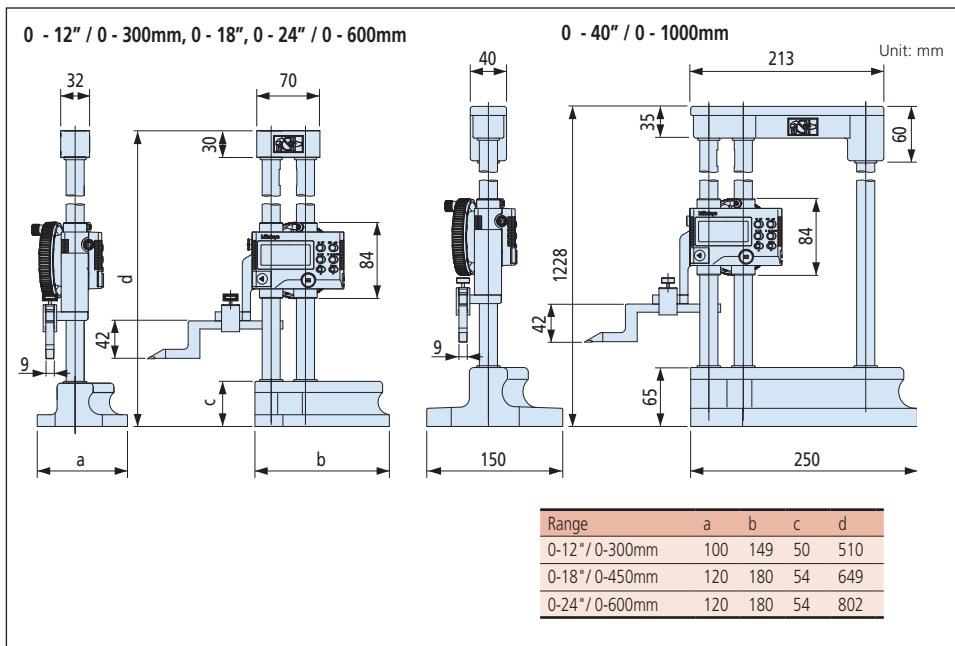
192-670-10

### SPECIFICATIONS

Inch/Metric				
Range	Order No.	Accuracy	Resolution	Mass (kg)
0-12"/0-300mm	<b>192-670-10</b>	±001"	.0005"(0.01mm) [.0002"(0.005mm) Switchable]	5.7
0-18"/0-450mm	<b>192-671-10</b>	±0015"	.0005"(0.01mm) [.0002"(0.005mm) Switchable]	7.5
0-24"/0-600mm	<b>192-672-10</b>	±0015"	.0005"(0.01mm) [.0002"(0.005mm) Switchable]	8.3
0-40"/0-1000mm	<b>192-673-10</b>	±0025"	.0005"(0.01mm) [.0002"(0.005mm) Switchable]	15.7

Metric				
Range	Order No.	Accuracy	Resolution	Mass (kg)
0-300mm	<b>192-663-10</b>	±0.02mm	Switchable between 0.01mm and 0.005mm	5.7
0-600mm	<b>192-664-10</b>	±0.04mm	Switchable between 0.01mm and 0.005mm	8.3
0-1000mm	<b>192-665-10</b>	±0.06mm	Switchable between 0.01mm and 0.005mm	15.7

### DIMENSIONS



### Technical Data

Accuracy: Refer to the list of specifications.  
 Resolution: 0.01+0.005mm or 0.0005"(0.01mm) [0.0002"(0.005mm) switchable]  
 Display: LCD, 7-digits, character height 11mm  
 Max. response speed: 500mm/s  
 Battery: SR44 (1 pc.), **938882**  
 Battery life: Approx. 2000 hours under normal use

### Function

Zero-setting, ABS/INC switching, Two presets, Probe tip diameter compensation, +/- switching, Power ON/OFF, Data hold, Data output, inch/mm conversion (on inch/metric models only)  
 Alarm: Low voltage, Counting value composition error

### Standard Scriber Provided

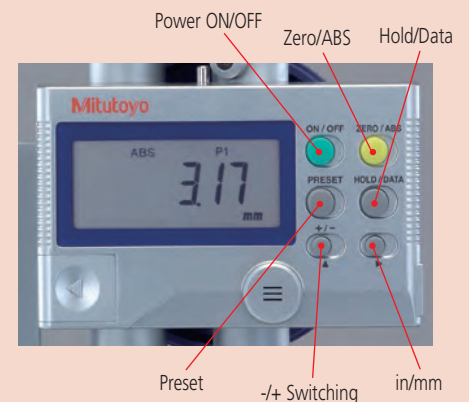
Metric models: Carbide-tipped scriber (**905200**) and scriber clamp (**05GZA033**)  
 Inch/Metric models: Carbide-tipped scriber (**905201**) and scriber clamp (**901385**)

### Optional Accessories

- 905338:** SPC cable (40" / 1m)
- 905409:** SPC cable (80" / 2m)
- 905691:** SPC cable (L-shape, 40" / 1m)
- 905692:** SPC cable (L-shape, 80" / 2m)
- 192-007:** Bi-directional touch-signal probe (metric)
- 192-008:** Bi-directional touch-signal probe (inch)
- 953638:** Holding bar for test indicator (length: 50mm)
- 900209:** Holding bar for test indicator (length: 100mm)
- 953639:** Holding bar for test indicator (length: 2")
- 900306:** Holding bar for test indicator (length: 4")
- 900321:** Swivel clamp used with holding bar (metric)
- 900322:** Swivel clamp used with holding bar (inch)



Shown with optional touch-signal probe





# Digimatic Height Gage

## SERIES 192 — Standard Type with SPC Data Output

### FEATURES

- Easy-to-use standard type.
- Carbide-tipped scriber is provided.
- Double-column structure ensures high measuring accuracy.
- Coarse/fine feed switching.
- Switchable resolution
- Two preset reference height

### Technical Data

Accuracy: Refer to the list of specifications.  
 Resolution: .0005" (0.01mm) [.0002" (0.005mm)]  
 or 0.01mm and 0.005mm  
 Display: LCD, 7-digit, character height 11mm  
 Max. response speed: 500mm/s  
 Battery: SR44 (1 pc.), **938882**  
 Battery life: Approx. 2000 hours under normal use

### Function

Zero-setting, ABS/INC switching, Two presets, Probe tip diameter compensation, +/- switching, Power ON/OFF, Data hold, With Output, inch/mm conversion (on inch/metric models only)  
 Alarm: Low voltage, Counting value composition error

### Standard Scriber Provided

Metric models: Carbide-tipped scriber (**07GZA000**) and scriber clamp (**05GZA033**)  
 Inch/Metric models: Carbide-tipped scriber (**900258**) and scriber clamp (**901385**)

### Optional Accessories

**953638:** Holding bar for test indicator (length: 50mm)  
**900209:** Holding bar for test indicator (length: 100mm)  
**953639:** Holding bar for test indicator (length: 2")  
**900306:** Holding bar for test indicator (length: 4")  
**900321:** Swivel clamp used with holding bar (metric)  
**900322:** Swivel clamp used with holding bar (inch)  
**905338:** SBC cable (CD type) 1M  
**905409:** SBC cable (CD type) 2M  
**905691:** CD/Connecting Cable L-Type 1M RIG  
**905692:** CD/Connecting Cable L-Type 2M RIG



### SPECIFICATIONS

Inch/Metric				
Range	Order No.	Accuracy	Resolution	Mass (kg)
0-12"/0-300mm	<b>192-630-10</b>	±001"	.0005" (0.01mm) [.0002" (0.005mm) Switchable]	4.7
0-18"/0-450mm	<b>192-631-10</b>	±002"	.0005" (0.01mm) [.0002" (0.005mm) Switchable]	7.5
0-24"/0-600mm	<b>192-632-10</b>	±002"	.0005" (0.01mm) [.0002" (0.005mm) Switchable]	8.3
0-40"/0-1000mm	<b>192-633-10</b>	±003"	.0005" (0.01mm) [.0002" (0.005mm) Switchable]	15.7

Metric				
Range	Order No.	Accuracy	Resolution	Mass (kg)
0-300mm	<b>192-613-10</b>	±0.02mm	Switchable between 0.01mm and 0.005mm	4.7
0-600mm	<b>192-614-10</b>	±0.05mm	Switchable between 0.01mm and 0.005mm	8.3
0-1000mm	<b>192-615-10</b>	±0.07mm	Switchable between 0.01mm and 0.005mm	15.7

### DIMENSIONS

