

Series 350
**Digimatic
micrometer
head**
Spindle face: Carbide tip
More than HRC90
Lapped surface
Scale surface: Hard-Chrome plating
Fixture thickness: 11.5mm

Digimatic micrometer head enhanced by use of LCD digital readout

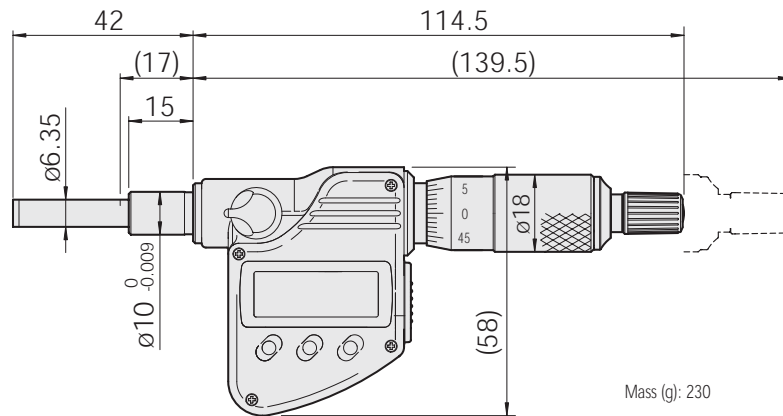


Mitutoyo's lineup of Digimatic micrometer heads, that anyone can read without fail with a minimum digital reading of 0.001mm, offers a waterproof type of protection level IP65.

Unit: mm

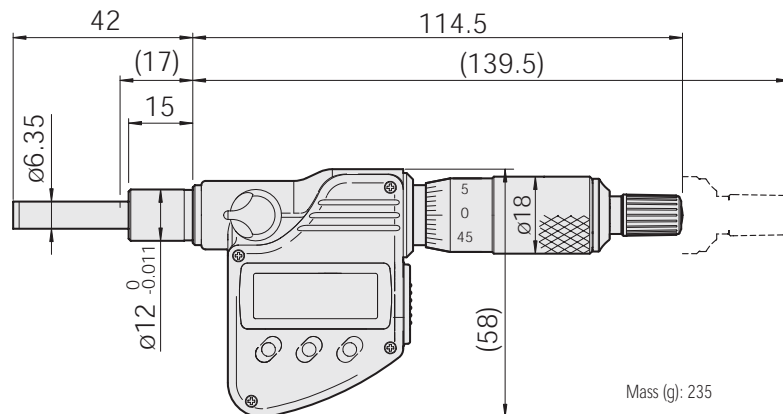
Plain stem

350-251, 350-351



Plain stem

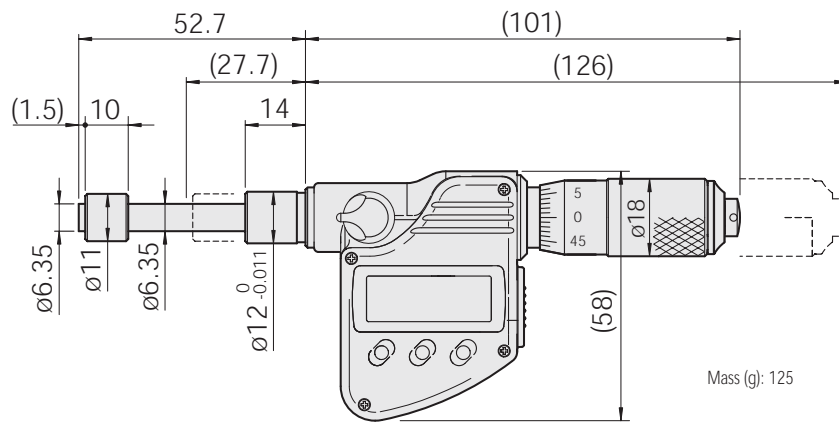
350-271, 350-381



Order No.

Metric			Inch			Stem	Spindle face	Accuracy
Order No.	Range	Resolution	Order No.	Range	Resolution			
350-251	25mm	0.001mm	350-351	1"	.00005"	Plain	Flat (carbide tip)	±0.002mm/ ±.0001"
350-252	25mm	0.001mm	350-352	1"	.00005"	With clamp nut	Flat (carbide tip)	±0.002mm/ ±.0001"
350-253	25mm	0.001mm	350-353	1"	.00005"	Plain	Spherical (SR4)	±0.002mm/ ±.0001"
350-254	25mm	0.001mm	350-354	1"	.00005"	With clamp nut	Spherical (SR4)	±0.002mm/ ±.0001"
350-271	25mm	0.001mm	350-381	1"	.00005"	Plain	Flat (carbide tip)	±0.002mm/ ±.0001"
350-272	25mm	0.001mm	350-382	1"	.00005"	With clamp nut	Flat (carbide tip)	±0.002mm/ ±.0001"
350-273	25mm	0.001mm	350-383	1"	.00005"	Plain	Spherical (SR4)	±0.002mm/ ±.0001"
350-274	25mm	0.001mm	350-384	1"	.00005"	With clamp nut	Spherical (SR4)	±0.002mm/ ±.0001"
350-261	25mm	0.001mm	350-361	1"	.00005"	Plain	Flat (non-rotating device)	±0.002mm/ ±.0001"

(): When retracting the spindle until its stroke end.



Functions

- **Origin Setup function (ABS measuring system)**
Stores the minimum value in the measuring range as the origin. An origin value can be set up according to each size of micrometer heads.
- **Zero-set function (INC measuring system)**
Can clear (zero-set) a display value at any position, allowing comparison measurement with ease. Even after zero-setting an absolute value from the origin (ABS measuring system) can be restored.
- **Hold function**
Can hold a display value. Resetting this function restores the most recent zero-set position or measured value from the origin. The function is convenient to perform measurement at a position where a display value is hard to read.
- **Measurement Data Output function**
Allows the configuration of a statistical process control

- system or an instrumentation system with the measurement data output terminal. In this case the optional connecting cable is separately necessary. Optional connecting cable for coolant proof type: 05CZA662 (1m/40") or 05CZA663 (2m/80"), for standard type: 937387 (1m/40") or 965013 (2m/80")
- **Auto-power ON/OFF function**
Turns off the LCD if the micrometer head is not in use for about 20 minutes. The origin (preset value) in the ABS measuring system still remains in memory and the display is recovered by rotating the spindle again.
- **Error Alarm function**
Displays an error message on the LCD and stops the measuring function if an overflow or calculation error occurs. No measurement can be continued while the error message is displayed. The function also lights the B mark to indicate that the battery is used up when its voltage becomes low before disabling measurement.

Specifications

- IP65 protection level:

Category	Level	Definition
Protection against human contact and foreign matters	6: Hermetically sealed from dust and dirt	Protects the head from incoming of dust and dirt and absolutely protects it from human contact.
Protection against water	5: Splash-proof type	There should be no harmful effect even if the head is subject to direct water splash ^{*1} from any direction.

*1: Description of direct water splash

Water with a pressure of 30kPa and a flow rate of 12.5 L/min is splashed onto the external surface of 1 m² for a total of 3 minutes or more using a nozzle of I.D. 6.3mm.

- Power supply: SR44 (1 pc.)
- Battery life: Approximately 8 months in normal use
- Quantizing error: ±1 count

Digimatic data processor

Mitutoyo Digimatic data processors are able to collect data from Digimatic micrometer head and print out statistical information, control charts and histograms using built-in printer.



DP-1VR

(): When retracting the spindle until its stroke end.