

# Outside Micrometers

## SERIES 406 — Non-Rotating Spindle Type

### FEATURES

- With a standard bar except for 0 - 1" / 0 - 25mm model.
- With SPC output.
- Supplied in a fitted plastic case.



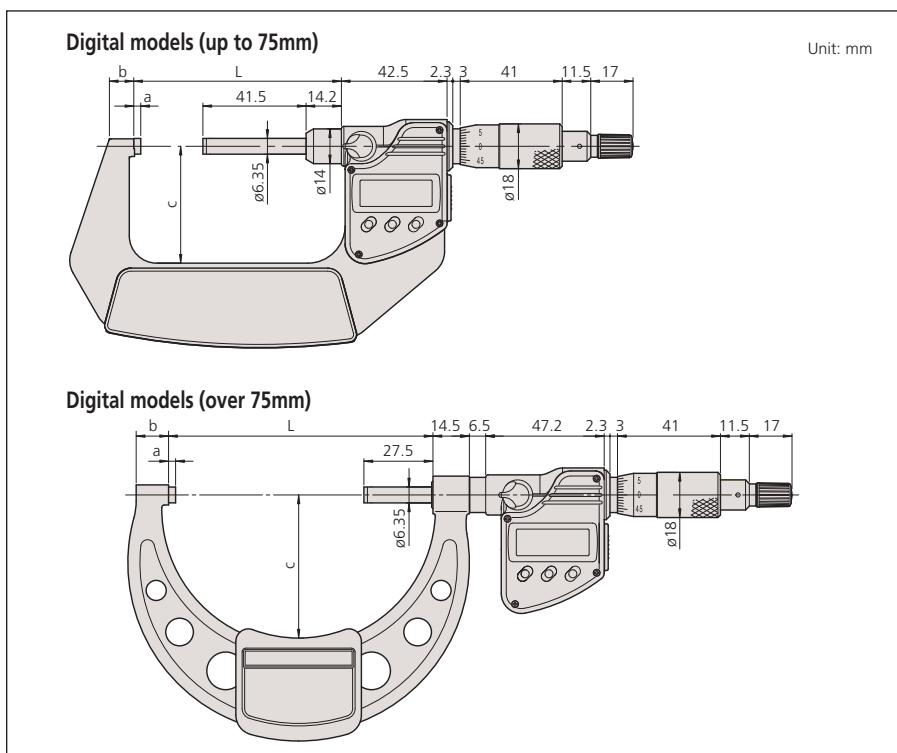
406-350

### SPECIFICATIONS

Metric		Digital model with ratchet stop	
Range	Resolution	Order No.	Accuracy
0 - 25mm	0.001mm	<b>406-250</b>	±3μm
25 - 50mm	0.001mm	<b>406-251</b>	±3μm
50 - 75mm	0.001mm	<b>406-252</b>	±3μm
75 - 100mm	0.001mm	<b>406-253</b>	±4μm

Inch/Metric		Digital model with ratchet stop	
Range	Resolution	Order No.	Accuracy
0 - 1" / 0 - 25.4mm	.00005" / 0.001mm	<b>406-350</b>	±.00015"
1 - 2" / 25.4 - 50.8mm	.00005" / 0.001mm	<b>406-351</b>	±.00015"
2 - 3" / 50.8 - 72.6mm	.00005" / 0.001mm	<b>406-352</b>	±.00015"
3 - 4" / 76.2 - 101.6mm	.00005" / 0.001mm	<b>406-353</b>	±.0002"

### DIMENSIONS AND MASS



### Technical Data

Accuracy: Refer to the list of specifications.  
 Resolution: .00005" / 0.001mm or 0.001mm  
 Flatness: 0.3μm / .00012"  
 Parallelism: .00012" / 3μm for models up to 3" / 75mm\*  
 .00016" / 4μm for models over 3" / 75mm\*  
 .00063" / 1.6μm for models up to 2" / 50mm\*\*  
 2μm for models over 50mm\*\*  
 Measuring faces: Carbide tipped  
 Display\*: LCD  
 Battery\*: SR44 (1 pc.), **938882**  
 Battery life\*: Approx. 1.2 years under normal use

### Function of Digital Model

Origin-set, Zero / ABS, Data hold, Data output, inch/mm conversion (on inch/metric models only)  
 Alarm: Low voltage, Counting value composition error

### Optional Accessories for Digital Model

**05CZA662**: SPC cable with data switch (40" / 1m)  
**05CZA663**: SPC cable with data switch (80" / 2m)