

# Digimatic Holtest

## SERIES 468 — Three-Point Internal Micrometers

### FEATURES

- TiN-coated measuring contact points provide excellent durability and impact resistance and allow the instrument to measure to the bottom of a blind hole (up to 100mm / 4" models).
- Large LCD readout.
- Functions available: Presetting, Zero/ABS, Auto power On/Off, Data hold, Data output, Error alarm, Battery replacement alarm.
- With Ratchet Stop for constant force.
- Can measure deep holes by attaching an Extension rod (optional).
- Setting rings for origin point setting are optional.
- Supplied in fitted plastic case up to 100mm / 4". Over 100mm / 4" supplied in wooden case.



468-261



468-263



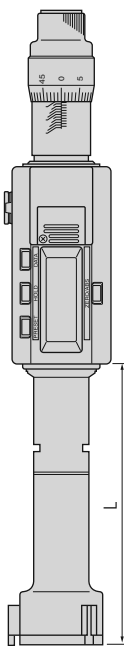
468-274



TiN coated contact points  
(\*-10" suffix models only)

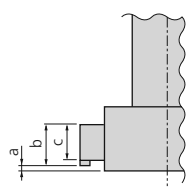
### DIMENSIONS AND MASS

Unit: mm



Range	L	Mass (g)
6 - 8mm / .275 - .35"	59	400
8 - 10mm / .35 - .425"	59	400
10 - 12mm / .425 - .5"	59	400
12 - 16mm / .5 - .65"	84	430
16 - 20mm / .65 - .8"	84	430
20 - 25mm / .8 - 1"	93	500
25 - 30mm / 1 - 1.2"	93	510
30 - 40mm / 1.2 - 1.6"	103.8	510
40 - 50mm / 1.6 - 2"	103.8	530
50 - 63mm / 2 - 2.5"	105.4	650
62 - 75mm / 2.5 - 3.0"	105.4	660
75 - 88mm / 3.0 - 3.5"	105.4	990
87 - 100mm / 3.5 - 4.0"	105.4	1000
100 - 125mm / 4 - 5"	151.4	970
125 - 150mm / 5 - 6"	151.4	1060
150 - 175mm / 6 - 7"	151.4	1150
175 - 200mm / 7 - 8"	151.4	1240
200 - 225mm / 8 - 9"	151.4	1330
225 - 250mm / 9 - 10"	151.4	1420
250 - 275mm / 10 - 11"	151.4	1510
275 - 300mm / 11 - 12"	151.4	1600

**Measuring a Blind Hole**  
The measuring contact points held in the jaws permit measuring the diameter of a blind hole to the bottom.  
(up to 100mm / 4" models)



Range	a	b	c
6 - 12mm / .275 - .5"	2	—	2.5
12 - 20mm / .5 - .8"	0.3	5.6	3.5
20 - 30mm / .8 - 1.2"	0.3	8.3	5.2
30 - 50mm / 1.2 - 2"	0.3	13	10
50 - 100mm / 2 - 4"	0.3	17	14
100 - 300mm / 4 - 12"	12.4	21	13.8



### Technical Data

Accuracy: Refer to the list of specifications.  
Resolution: 0.001mm or .00005"/0.001mm  
(over 4 - 5" models: .0001"/0.001mm)  
Contact point: TiN coating  
Measuring method: Three-point method  
Display: LCD  
Battery: SR44 (2 pcs.), **938882**  
Battery life: Approx. 8 months under normal use

### Function

Zero/ABS, Auto Power On/Off, Data hold, Data output,  
Preset, inch/mm conversion (on inch/metric models only)  
Alarm: Low voltage, Counting value composition error

### Optional Accessories

- 05CZA662:** SPC cable (1m / 40")
- 05CZA663:** SPC cable (2m / 80")
- 04AZB157:** Mounting plate for stand
- 156-101:** Stand
- 952322:** Extension rod 100mm / 3.94"  
For range 6-12mm / .275 - .5" models
- 952621:** Extension rod 150mm / 5.9"  
For range 12-20mm / .5" - .8" models
- 952622:** Extension rod 150mm / 5.9"  
For range 20-50mm / .8" - 2" models
- 952623:** Extension rod 150mm / 5.9"  
For range 50-300mm / 2" - 12" models



04AZB157

## SPECIFICATIONS

Metric Individual		
Range	Order No.	Accuracy
6 - 8mm	<b>468-161</b>	±2µm
8 - 10mm	<b>468-162</b>	±2µm
10 - 12mm	<b>468-163</b>	±2µm
12 - 16mm	<b>468-164</b>	±2µm
16 - 20mm	<b>468-165</b>	±2µm
20 - 25mm	<b>468-166</b>	±3µm
25 - 30mm	<b>468-167</b>	±3µm
30 - 40mm	<b>468-168</b>	±3µm
40 - 50mm	<b>468-169</b>	±3µm
50 - 63mm	<b>468-170</b>	±3µm
62 - 75mm	<b>468-171</b>	±3µm
75 - 88mm	<b>468-172</b>	±3µm
87 - 100mm	<b>468-173</b>	±3µm
100 - 125mm	<b>468-174</b>	±5µm
125 - 150mm	<b>468-175</b>	±5µm
150 - 175mm	<b>468-176</b>	±5µm
175 - 200mm	<b>468-177</b>	±5µm
200 - 225mm	<b>468-178</b>	±5µm
225 - 250mm	<b>468-179</b>	±5µm
250 - 275mm	<b>468-180</b>	±5µm
275 - 300mm	<b>468-181</b>	±5µm

Inch/Metric Individual <input type="checkbox"/> with TiN coated contact points		
Range	Order No.	Accuracy
.275 - .35" / 6.925 - 8.89mm	<b>468-261</b>	±.0001"
.35 - .425" / 8.89 - 10.795mm	<b>468-262</b>	±.0001"
.425 - .5" / 10.795 - 12.7mm	<b>468-263</b>	±.0001"
.5 - .65" / 12.7 - 16.51mm	<b>468-264</b>	±.0001"
.65 - .8" / 16.51 - 20.32mm	<b>468-265</b>	±.0001"
.8 - 1" / 20.32 - 25.4mm	<b>468-266</b>	±.00015"
1 - 1.2" / 25.4 - 30.48mm	<b>468-267</b>	±.00015"
1.2 - 1.6" / 30.48 - 40.64mm	<b>468-268</b>	±.00015"
1.6 - 2" / 40.64 - 50.8mm	<b>468-269</b>	±.00015"
2 - 2.5" / 50.8 - 63.5mm	<b>468-270</b>	±.00015"
2.5 - 3" / 63.5 - 76.2mm	<b>468-271</b>	±.00015"
3 - 3.5" / 76.2 - 88.9mm	<b>468-272</b>	±.00015"
3.5 - 4" / 88.9 - 101.6mm	<b>468-273</b>	±.00015"
4 - 5" / 101.6 - 127mm	<b>468-274</b>	±.00025"
5 - 6" / 127 - 152.4mm	<b>468-275</b>	±.00025"
6 - 7" / 152.4 - 177.8mm	<b>468-276</b>	±.00025"
7 - 8" / 177.8 - 203.2mm	<b>468-277</b>	±.00025"
8 - 9" / 203.2 - 228.6mm	<b>468-278</b>	±.00025"
9 - 10" / 228.6 - 254mm	<b>468-279</b>	±.00025"
10 - 11" / 254 - 279.4mm	<b>468-280</b>	±.00025"
11 - 12" / 279.4 - 304.8mm	<b>468-281</b>	±.00025"



468-986

### Complete Unit Set

Each set includes complete gages (display units and measuring heads for each size).

Metric <input type="checkbox"/> with TiN coated contact points				
Range	Order No.	Individual range	Setting rings included	Remarks
6 - 12mm	<b>468-981</b>	6-8, 8-10, 10-12mm	ø8mm, ø10mm	—
12 - 25mm	<b>468-982</b>	12-16, 16-20, 20-25mm	ø16mm, ø20mm	—
25 - 50mm	<b>468-983</b>	25-30, 30-40, 40-50mm	ø30mm, ø40mm	—
50 - 75mm	<b>468-984</b>	50-63, 62-75mm	ø62mm	—
75 - 100mm	<b>468-985</b>	75-88, 87-100mm	ø87mm	—

Inch/Metric <input type="checkbox"/> with TiN coated contact points				
Range	Order No.	Individual range	Setting rings included	Remarks
.275 - .5" / 6.925 - 12.7mm	<b>468-986</b>	.275-.35", .35-.425", .425-.5"	.35" DIA., .425" DIA.	—
.5 - 1" / 12.7 - 25.4mm	<b>468-987</b>	.5-.65", .65-.8", .8-1"	.65" DIA., .8" DIA.	—
1 - 2" / 25.4 - 50.8mm	<b>468-988</b>	1-1.2", 1.2-1.6", 1.6-2"	1.2" DIA., 1.6" DIA.	—
2 - 3" / 50.8 - 76.2mm	<b>468-989</b>	2-2.5", 2.5-3"	2.5" DIA.	—
3 - 4" / 76.2 - 101.6mm	<b>468-990</b>	3-3.5", 3.5-4"	3.5" DIA.	—



468-978

### Interchangeable Head Set

Each set includes one display unit with interchangeable measuring heads of the sizes specified.

Metric <input type="checkbox"/> with TiN coated contact points				
Range	Order No.	Individual range	Setting rings included	Remarks
6 - 12mm	<b>468-971</b>	6-8, 8-10, 10-12mm	ø8mm, ø10mm	with extension rod
12 - 20mm	<b>468-972</b>	12-16, 16-20mm	ø16mm.	with extension rod
20 - 50mm	<b>468-973</b>	20-25, 25-30, 30-40, 40-50mm	ø25mm, ø40mm	with extension rod
50 - 100mm	<b>468-974</b>	50-63, 62-75, 75-88, 87-100mm	ø62mm, ø87mm	with extension rod
100 - 200mm	<b>468-975</b>	100-125, 125-150, 150-175, 175-200mm	ø125mm, ø175mm	with extension rod

Inch/Metric <input type="checkbox"/> with TiN coated contact points				
Range	Order No.	Individual range	Setting rings included	Remarks
.275 - .5" / 6.925 - 12.7mm	<b>468-976</b>	.275-.35", .35-.425", .425-.5"	.35" DIA., .425" DIA.	with extension rod
.5 - .8" / 12.7 - 20.32mm	<b>468-977</b>	.5-.65", .65-.8"	.65" DIA.	with extension rod
.8 - 2" / 20.32 - 50.8mm	<b>468-978</b>	.8-1", 1-1.2", 1.2-1.6", 1.6-2"	1" DIA., 1.6" DIA.	with extension rod
2 - 4" / 50.8 - 101.6mm	<b>468-979</b>	2-2.5", 2.5-3", 3-3.5", 3.5-4"	2.5" DIA., 3.5" DIA.	with extension rod
4 - 8" / 101.6 - 203.2mm	<b>468-980</b>	4-5", 5-6", 6-7", 7-8"	5" DIA., 7" DIA.	with extension rod