

# Dial Indicators

## SERIES 2 — Standard One Revolution Type for Error-free Reading



One revolution type.



Shockproof type



Waterproof type



Dustproof type



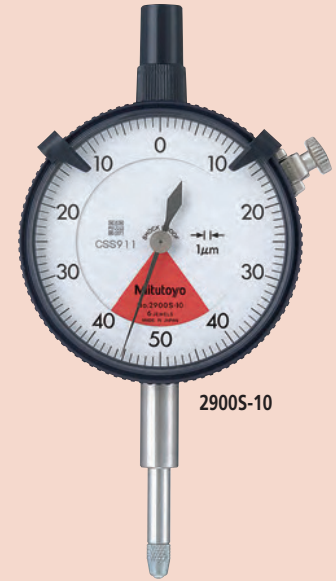
Jeweled bearing type

### SPECIFICATIONS

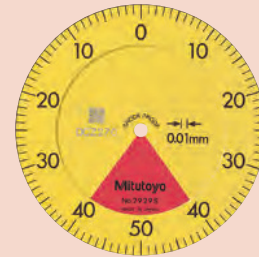
**Metric** Stem  $\varnothing$  8mm, M2.5 x 0.45 Thread ISO/JIS type

Graduation	Range (range/full stroke)	Dial reading	Order No.		Accuracy	Measuring force	Shockproof	Waterproof	Dustproof	Jeweled bearing
			w/ lug	Flat-back						
0.001mm	0.08mm / 0.1mm	40-0-40	<b>2900S-10</b>	<b>2900SB-10</b>	$\pm 0.003$ mm	1.4N or less	✓	—	—	✓
0.001mm	0.08mm / 0.1mm	40-0-40	<b>2900S-70</b>	<b>2900SB-70</b>	$\pm 0.003$ mm	2.0N or less	✓	✓	—	✓
0.001mm	0.08mm / 0.1mm	40-0-40	<b>2900S-72</b>	<b>2900SB-72</b>	$\pm 0.003$ mm	2.0N or less	✓	—	✓	✓
0.001mm	0.16mm / 0.2mm	80-0-80	<b>2901S-10</b>	<b>2901SB-10</b>	$\pm 0.004$ mm	1.4N or less	✓	—	—	✓
0.01mm	0.8mm / 1mm	40-0-40	<b>2929S</b>	<b>2929SB</b>	$\pm 0.009$ mm	2.0N or less	✓	—	—	—
0.01mm	0.8mm / 1mm	40-0-40	<b>2929S-60</b>	<b>2929SB-60</b>	$\pm 0.009$ mm	2.0N or less	✓	✓	—	—
0.01mm	0.8mm / 1mm	40-0-40	<b>2929S-62</b>	<b>2929SB-62</b>	$\pm 0.009$ mm	2.0N or less	✓	—	✓	—
0.01mm	1.6mm / 2mm	80-0-80	<b>2959S</b>	<b>2959SB</b>	$\pm 0.013$ mm	1.4N or less	✓	—	—	—
0.01mm	0.5mm / 0.7mm	25-0-25	—	<b>2971*</b>	$\pm 0.010$ mm	1.4N or less	✓	—	✓	—
0.01mm	1mm / 1.4mm	50-0-50	—	<b>2972*</b>	$\pm 0.012$ mm	1.4N or less	✓	—	✓	—
0.02mm	1.6mm / 2mm	80-0-80	—	<b>2973*</b>	$\pm 0.016$ mm	1.4N or less	✓	—	✓	—
0.1mm	4mm / 10mm	2-0-2	<b>2928S</b>	<b>2928SB</b>	$\pm 0.040$ mm	1.4N or less	✓	—	—	—

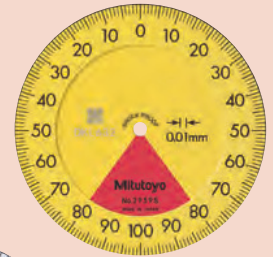
\* Flat back type only. (Lug-on-center back is not available.)



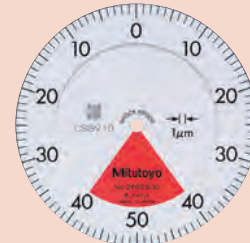
2900S-10



2929S  
2929S-60  
2929S-62



2959S

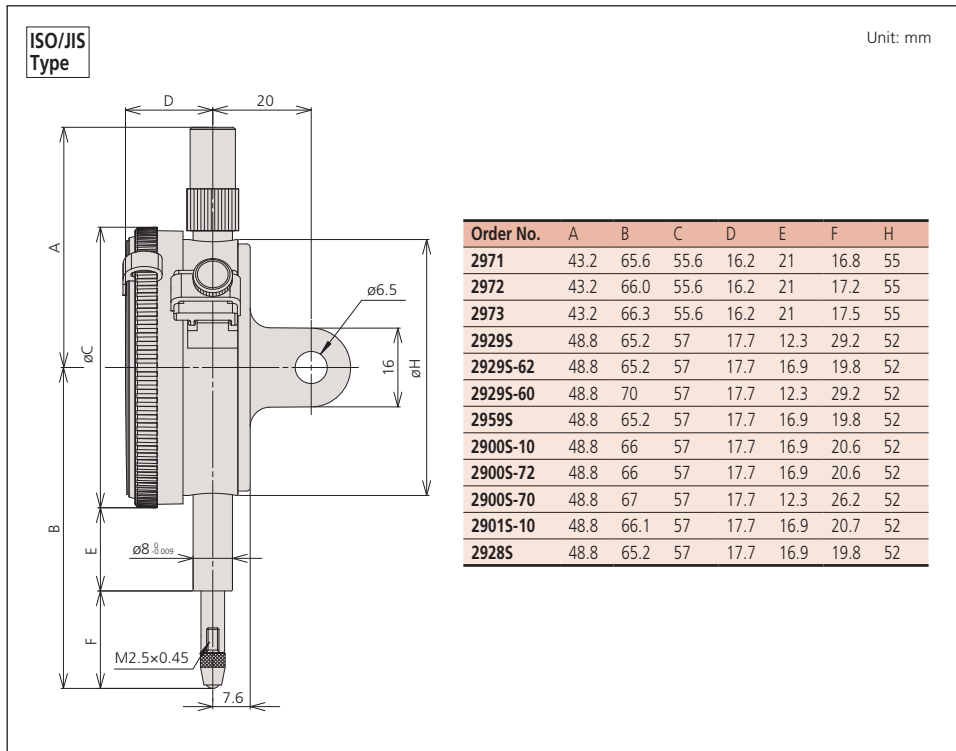


2900S-10  
2900S-70  
2900S-72



2901S-10

### DIMENSIONS



### Optional Accessories

- : Backs (See page F-33.)
- : Contact points (See page F-34.)



# Dial Indicators

## SERIES 2 — Standard One Revolution Type for Error-free Reading

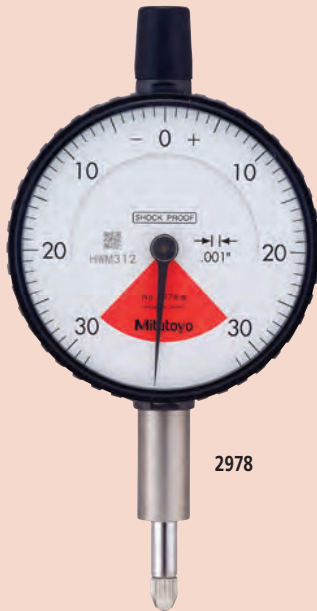
### FEATURES

- An unique shock-proof mechanism is incorporated, providing improved immunity to shock due to sudden spindle retraction caused by high impact.
- The crystal is hard coated for durability and scratch resistance.
- Approximately 40% lighter than the conventional dial indicator.

- Provided with an improved resistance to shop floor contaminants such as water and dust.
- Due to the spindle bushing being offset from the stem, spindle movement will not be hindered or jammed when clamping along the stem.
- A pair of limit hands are provided for quick and easy tolerance judgment (GO/±NG).



2909S-62



2978



One revolution type.

### SPECIFICATIONS

**Inch** Stem 3/8" dia., #4-48 UNF Thread

ANSI/AGD type

Graduation	Range	Range/full stroke	Dial reading	Order No.		Accuracy	Measuring force			
				w/ lug	Flat-back					
.0001"	.008"	.01"	4-0-4	<b>2910S-10</b>	<b>2910SB-10</b>	±.0001"	1.8N or less	✓	✓	✓
.0001"	.008"	.01"	4-0-4	<b>2910S-72</b>	<b>2910SB-72</b>	±.0001"	2.5N or less	✓	✓	✓
.0005"	.04"	.05"	20-0-20	<b>2909S-62</b>	<b>2909SB-62</b>	±.0005"	2.5N or less	✓	✓	✓
.0005"	.02"	.028"	10-0-10	—	<b>2976*</b>	±.0005"	1.4N or less	✓	✓	✓
.0005"	.04"	.055"	20-0-20	—	<b>2977*</b>	±.0005"	1.4N or less	✓	✓	✓
.001"	.06"	.079"	30-0-30	—	<b>2978*</b>	±.001"	1.4N or less	✓	✓	✓

\*Flat back type only. (Lug-on-center back is not available.)

**Metric** Stem 3/8" dia., #4-48 UNF Thread Yellow Dial Face

ANSI/AGD type

Graduation	Range	Range/full stroke	Dial reading	Order No.		Accuracy	Measuring force			
				w/ lug	Flat-back					
0.001mm	0.08mm	0.1mm	40-0-40	<b>2900S-73</b>	<b>2900SB-73</b>	±0.003mm	2.0N or less	✓	✓	✓

\*Flat back type only. (Lug-on-center back is not available.)

### DIMENSIONS

