

LSM-5200 Display Unit

SERIES 544 — Compact Display Unit for Real-time Multi-channel Measurement

Technical Data

Main display: 9-digit LED
 Interface units equipped: RS-232C, Analog I/O, Foot switch
 Power supply: +24V DC±10%, 1A

Function of Display Unit

Zero-setting, presetting, GO/±NG judgment, Offset value setting, Sample measurement, Statistical calculation, Data output, Workpiece position display, mm/inch switching, Dual-gage calibration, Transparent object measurement, Automatic measurement, Abnormal data eliminating

FEATURES

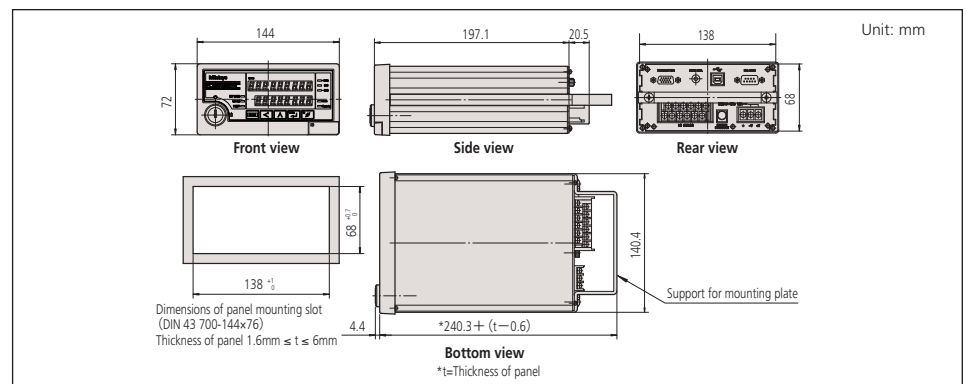
- Panel-mount type (with dimensions conforming to DIN standards) allows easy system integration.
- Capable of calculating mean, maximum, minimum, and range (maximum - minimum).
- Either the segment measurement (7 segments max.) or edge measurement (1 to 255 edges) can be selected.
- The RS-232C interface and the I/O and analog interface are provided as standard.

- The arithmetical average or moving average can be selected.
- GO/±NG judgment function.



544-047

DIMENSIONS



Technical Data

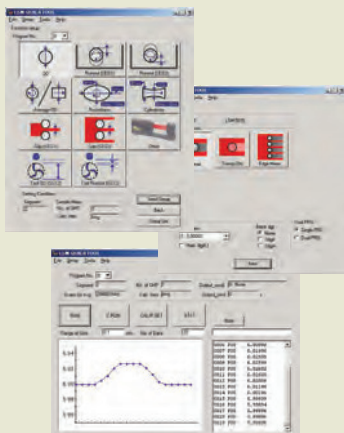
Main display: 16-digit fluorescent tube
 Interface units equipped: RS-232C, Analog I/O, Foot switch
 Power supply: 100 - 240V AC±10%, 40VA, 50/60Hz

Function of Display Unit

Zero-setting, Presetting, GO/±NG judgment, Multi-limit judgment, Offset value setting, Sample measurement, Statistical calculation, Group judgment, Data output, Workpiece position display, mm/inch switching, Dual-gage calibration, Transparent object measurement, Dual-unit measurement (optional), Automatic measurement, Abnormal data eliminating

QUICKTOOL

QUICKTOOL is a free software program that makes programming the LSM-6200 quick and easy. Please contact your Mitutoyo office for more information.



LSM-6200 Display Unit

SERIES 544 — Standard Display Unit for Laser Scan Micrometer

FEATURES

- With a dual-display design setup values can be continuously monitored. Also, two measurement value items can be displayed on the sub-display with the simultaneous measurement function.
- Either the segment measurement (7 segments max.) or edge measurement (1 to 255 edges) can be selected.

- The RS-232C interface and the I/O and analog interface are provided as standard.
- A statistical calculation function and abnormal data eliminating function are provided.

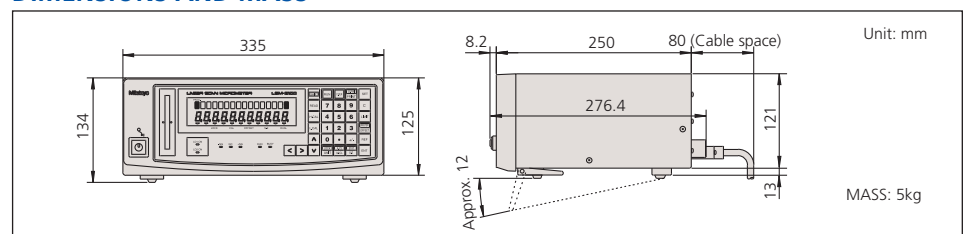


544-072A (Inch/Metric)


SPECIFICATIONS

Model	LSM-6200
Order No.	544-072A

DIMENSIONS AND MASS



Optional Accessories for LSM

Appearance	Order No.	Description	Application
	02AGD110 02AGD120 02AGD180 02AGD130 02AGD140 02AGD150 02AGM300 02AGD170	Calibration gage set Calibration gage set Calibration gage set Calibration gage set Calibration gage set Calibration gage set Calibration gage set Calibration gage set	LSM-500S LSM-501S LSM-902 LSM-503S LSM-506S LSM-512S LSM-516S LSM-9506
	02AGP150	Dual-type add-on unit	LSM-6200
 02AGC840 02AGC940	02AGC840 02AGC880 02AGC910 02AGC940	Digimatic (SPC) codeout unit 2nd I/O & analog interface unit BCD interface unit GP-IB interface unit	LSM-6200/6900 LSM-6200/6900 LSM-6200/6900 LSM-6200/6900
 Extension signal cable Extension relay cable	02AGN780A 02AGN780B 02AGN780C 02AGN780D	Extension signal cable (5m) Extension signal cable (10m) Extension signal cable (15m) Extension signal cable (20m)	Any model of LSM* Any model of LSM* Any model of LSM* Any model of LSM*
	02AGC150A 02AGC150B 02AGC150C	Extension relay cable (1m) Extension relay cable (3m) Extension relay cable (5m)	Any model of LSM** Any model of LSM** Any model of LSM**
	936937	SPC cable (1m)	LSM-6200/6900/9506
	937179T	Footswitch	LSM-6200/6900/9506
	02AGD270 02AGD400 02AGD280 02AGD490 02AGD520 02AGD370 02AGD680 02AGD440 02AGD580 02AGD450 02AGD590	Work stage Adjustable workstage Adjustable workstage Adjustable workstage Adjustable workstage Adjustable workstage Adjustable workstage Adjustable workstage Center support Center support Adjustable V-block Adjustable V-block	LSM-501S/503S/902 LSM-501S LSM-902 LSM-503S LSM-506S LSM-9506 LSM-9506 LSM-501S/503S/902 LSM-506S/9506 LSM-501S/503S/902 LSM-506S/9506
	02AGD200 02AGD210	Wire guiding pulley Wire guiding pulley	LSM-500S LSM-501S
	02AGD220 02AGD230 02AGD240 02AGD250 02AGD260 957608	Air blow cover Air blow cover Air blow cover Air blow cover Air blow cover Air cleaner	LSM-500S LSM-501S LSM-503S LSM-506S LSM-512S Any model of LSM
	02AGD600B	Thermal printer (120V AC)	Any model of LSM

* Except for LSM-902
** Except LSM-500S/902