

Series 148

# Standard

Range: 6.5mm/.25"  
13mm/.5"  
Graduation: 0.01mm/.001"  
Accuracy: ±0.002mm  
Spindle face: SKS3(material)  
More than HRC60  
Lapped surface  
Scale surface: Hard-Chrome plating

Short body design maintaining measuring range for limited space applications. Three choices of thimble diameter.

## Order No. (metric)

	6.5mm range			13mm range		
	ø15mm thimble	ø20mm thimble	ø29mm thimble	ø15mm thimble	ø20mm thimble	ø29mm thimble
Plain stem	148-301	148-303	148-305	148-307	148-309	148-311
With clamp nut	148-302	148-304	148-306	148-308	148-310	148-312

Unit: mm

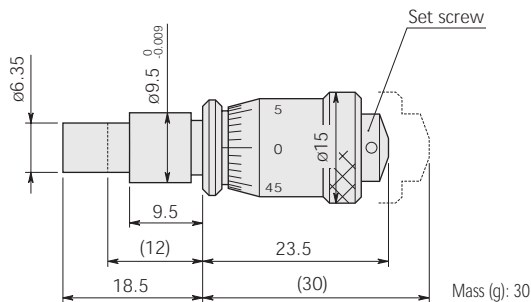
## Order No. (inch)

	.25" range			.5" range		
	ø.59" thimble	ø.79" thimble	ø1.14" thimble	ø.59" thimble	ø.79" thimble	ø1.14" thimble
Plain stem	148-351	148-353	148-355	148-357	148-359	148-361
With clamp nut	148-352	148-354	148-356	148-358	148-360	148-362

Plain stem

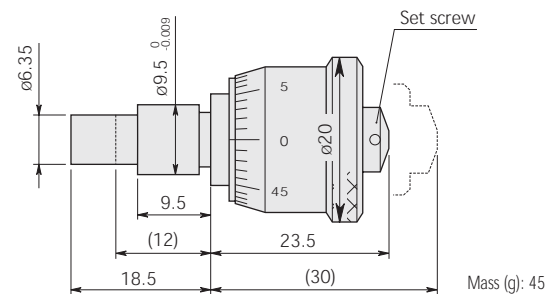
Thimble diameter: 15mm  
Range: 6.5mm

148-301, 148-351



Thimble diameter: 20mm  
Range: 6.5mm

148-303, 148-353

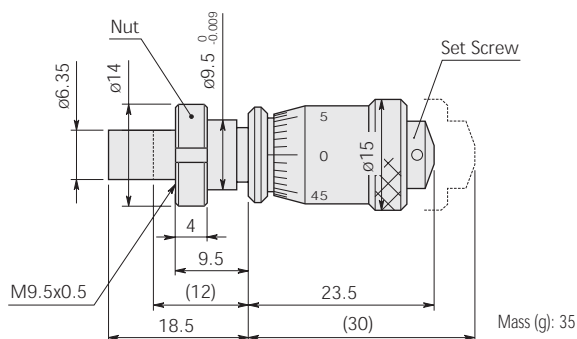


Stem with clamp nut

Fixture thickness: 6mm

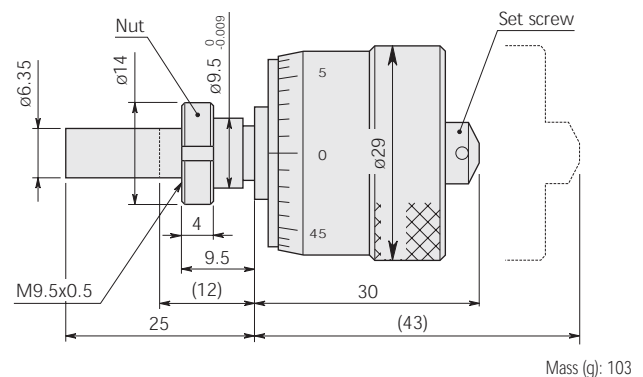
Thimble diameter: 15mm  
Range: 6.5mm

148-302, 148-352



Thimble diameter: 29mm  
Range: 6.5mm

148-312, 148-362



( ): When retracting the spindle until its stroke end.