

MSM-400

SERIES 377 — Stereo Microscopes

FEATURES

- Superior quality optics provide high-resolution
- Crystal sharp, high color contrast image with excellent depth of field
- Always in sharp focus at all magnifications
- The Parfocal Optical System allows relaxed strain-free viewing
- Long working distance
- Extreme large field of view (23mm diameter)

The MSM-465L, Order No. 377-990A, is a high-accuracy four-step magnification stereo microscope. With a horizontal

changer allowing 6X, 12X, 25X, and 50X magnifications with a standard 1X objective and 10X eyepieces, the MSM-465L has limitless capabilities for electrical small part inspection.

The MSM-464L, Order No. 377-991A, with its vertical five-step magnification changer is ideal for small part assembly. This stereo microscope with standard 6.4X, 10X, 16X, 25X, and 40X magnifications, has flexibility from 3.2X to 160X magnifications.



MSM-465L
377-990A



MSM-464L
377-991A

Optional Accessories

Photo System and Video System

Order No.	Description
377-488	Video System for 377-990A
377-489	Video System for 377-991A

Digital Imaging with Software

Order No.	Description
64PMI189	Digital camera, 2.0 Megapixel, USB 2.0 interface
64PMI236	Digital camera, 3.0 Megapixel, USB 2.0 interface

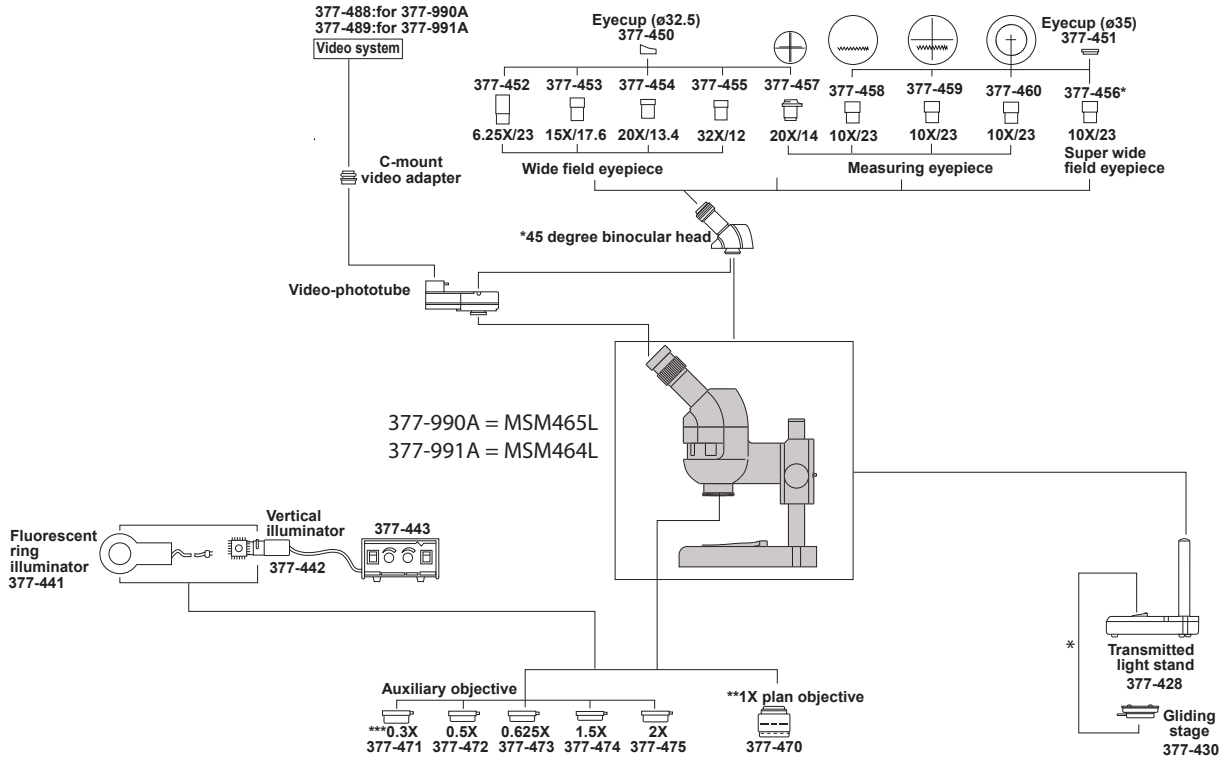
SPECIFICATIONS

Model.	MSM-465L 377-990A	MSM-464TL 377-991A
Optical tube	Binocular	Trinocular
Total magnification	6X - 50X	6.4X - 40X
Eyepiece	10X (377-456)	10X (377-456)
Objective	.6X, 1.2X, 2.5X, 5X	.6X, 1X, 1.6X, 2.5X, 4X
Working distance	89mm	89mm
Field of view	23mm (w/377-456)	23mm (w/377-456)
Dimensions	H=14.6" x W=13" x D=11"	H=14.3" x W=13" x D=11"
Mass	15.5 lbs (7kg)	15.5 lbs (7kg)
Stand	Transmitted Light Stand (377-428)	Transmitted Light Stand (377-428)

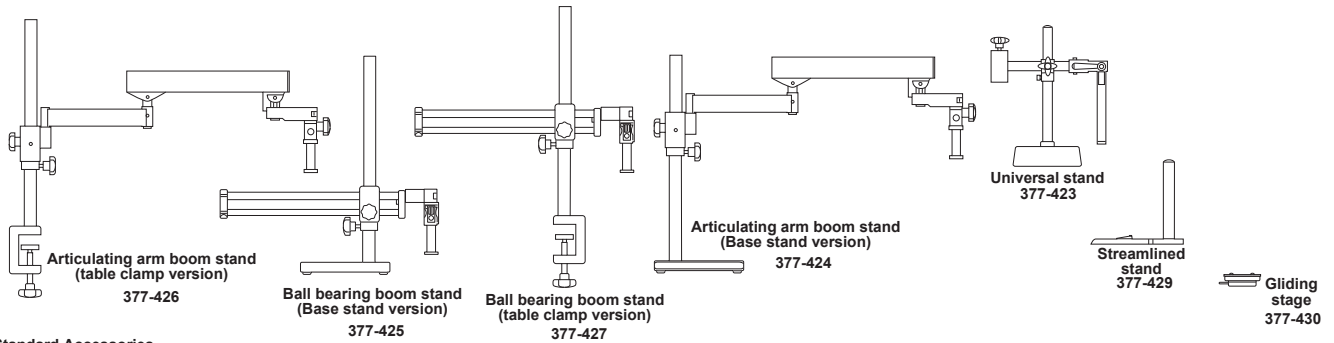
Stereo Microscopes

SERIES 377

377-990A/377-991A SYSTEM DIAGRAM



Optional Stand



- * Standard Accessories
- ** 1X plan objective can replace 1X standard built-in objective
- *** 350mm long stand post is required. (377-431)