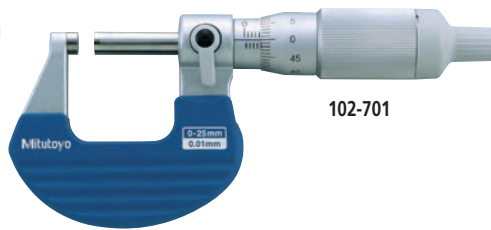
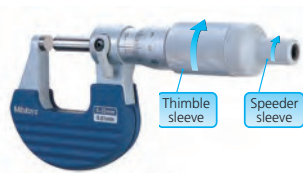


Ratchet Thimble Micrometer

SERIES 101, 102 — New smoother action Ratchet Thimble

FEATURES

- Ratchet function works both from the thimble and the speeder, allowing easy one-handed operation.
- Clearly audible ratchet operation for reassurance that measurement is being performed at constant, preset force.
- Provided with a Certificate of Inspection.
- With a standard bar except for 0 - 25mm and 0 - 1" models.
- Supplied in fitted plastic case.



102-701



102-702

SPECIFICATIONS

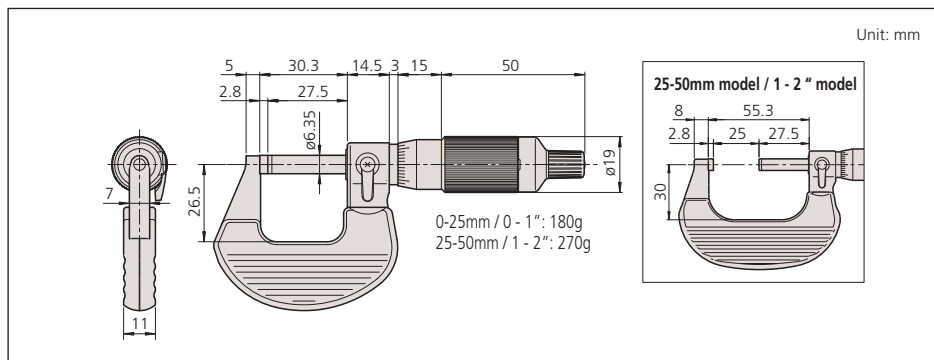
Metric			
Range	Graduation	Order No.	Accuracy
0 - 25mm	0.01mm	102-701	±2μm
0 - 25mm	0.001mm	102-707*	±2μm
25 - 50mm	0.01mm	102-702	±2μm
25 - 50mm	0.001mm	102-708*	±2μm

*0.001mm reading is obtained with vernier.

Inch			
Range	Graduation	Order No.	Accuracy
0 - 1"	.001"	101-711	±.0001"
	.0001"	101-717*	±.0001"
	.0001"	102-717*	±.0001"
1 - 2"	.0001"	102-718*	±.0001"

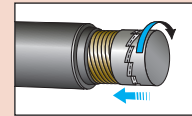
*.0001" reading is obtained with vernier.

DIMENSIONS AND MASS



Technical Data

Graduation: 0.01mm, 0.001mm, .001" or .0001"
 Flatness: 0.6μm / .000024"
 Parallelism: 2μm / .00008"
 Measuring faces: Carbide tipped
 Measuring force: 5-10N



Rotating the thimble/speeder sleeve when the workpiece is between the anvil and spindle causes the ratchet mechanism to tap the spindle and apply a constant measuring force to the workpiece.

