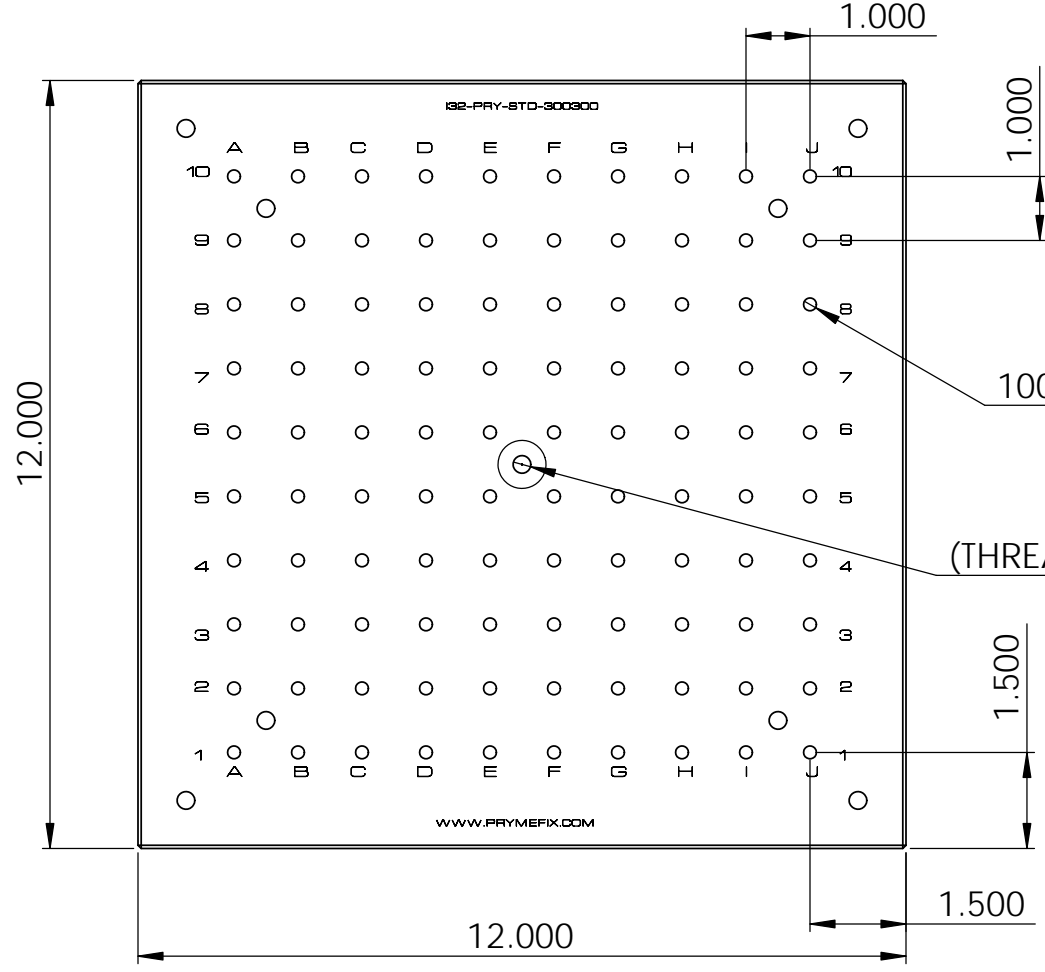
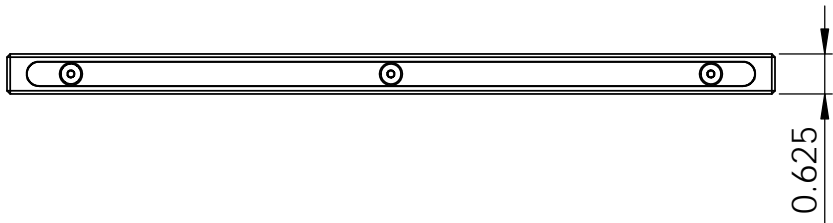


No. COMPONENTS IN ASSLY	OP1	OP2	OP3	OP4	OP5	OP6	
1							

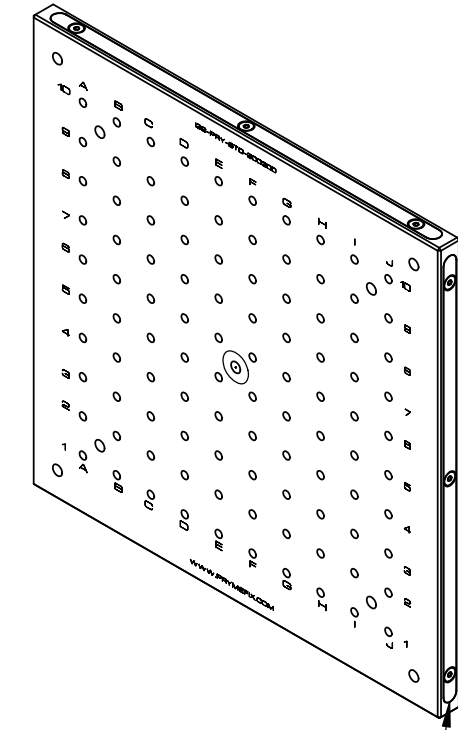


100 x 1/4-20 UNC - 1B

9 x M8x1.0 - 6H
(THREADED HOLES FOR MOUNTING CALIBRATION SHPERE)



4x STEEL INSERT FOR MAGNETIC CONTACT WITH CORNER NEST



PrymeFix
fixturing solutions

155 PRAIRIE LAKE RD, SUITE A
EAST DUNDEE, IL 60118
847.428.7122

FILE NAME
I32-PRY-STD-300300
DIRECTORY
P:\Manufacturing\PrymeFix Product Line\I11 Inserts\I32-PRY-STD-300300\

PROPRIETARY AND CONFIDENTIAL

THE INFORMATION CONTAINED IN THIS DRAWING IS THE SOLE PROPERTY OF PRYMEFIX. ANY REPRODUCTION IN PART OR AS A WHOLE WITHOUT THE WRITTEN PERMISSION OF PRYMEFIX IS PROHIBITED.

1		UNLESS OTHERWISE SPECIFIED FRACTIONAL ± .003 ANGULAR: ± 1.0 TWO PLACE DECIMAL ± .010 THREE PLACE DECIMAL ± .003 FOUR PLACE DECIMAL ± .0005 (REAM)	DRAWN BY: AK	DATE 9/8/2014	
2			TITLE: 300300 INSERT: I32		
3					
4			HEAT TREAT N/A	No Pcs to Complete Order:	
5			MATERIAL 6061 ALLOY		
6			FINISH HARD COAT		
7			REVISION HISTORY	SIZE B	DWG. NO. I32-PRY-STD-300300 Prints
			SCALE: 1:3	WEIGHT: 8.92	SHEET 4 OF 4