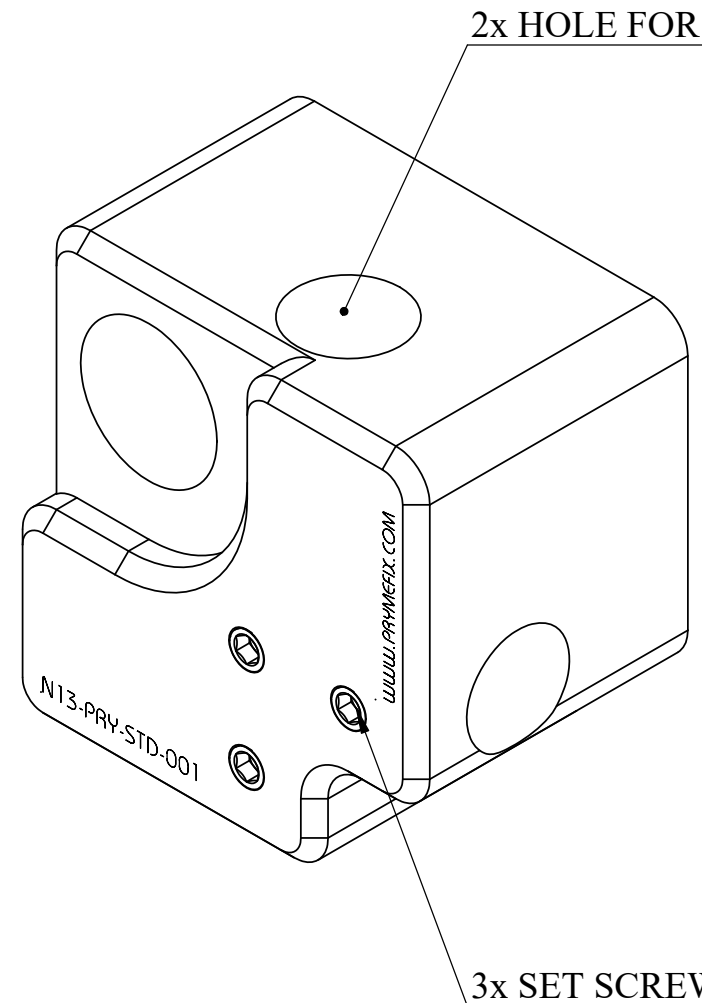
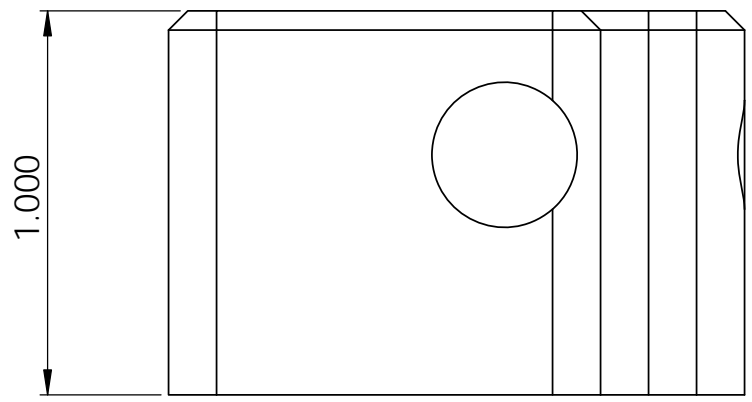
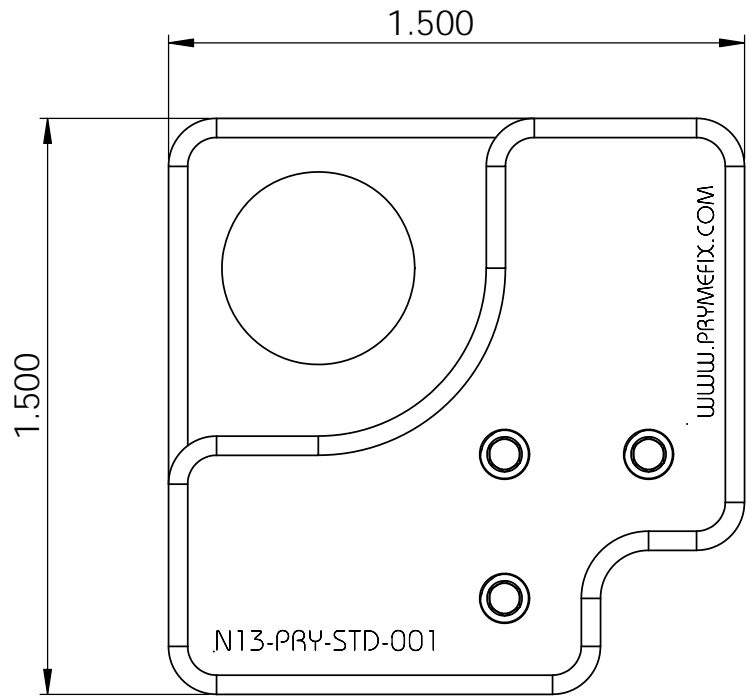


8	7	6	5	4	3	2	1
No. COMPONENTS IN ASSLY	OP1	OP2	OP3	OP4	OP5	OP6	

1



PrymeFix
fixturing solutions

155 PRAIRIE LAKE RD, SUITE A
EAST DUNDEE, IL 60118
847.428.7122

FILE NAME
N13-PRY-STD-001

DIRECTORY
P:\Manufacturing\PrymeFix Product Line\C11 & N11 Corner Inserts & Nests\N13-PRY-STD-001\

PROPRIETARY AND CONFIDENTIAL

THE INFORMATION CONTAINED IN THIS DRAWING IS THE SOLE PROPERTY OF PRYMEFIX. ANY REPRODUCTION IN PART OR AS A WHOLE WITHOUT THE WRITTEN PERMISSION OF PRYMEFIX IS PROHIBITED.

1		UNLESS OTHERWISE SPECIFIED	DRAWN BY: AK	DATE 8/6/2014	
2			TITLE: UNIVERSAL CORNER ADAPTOR N13-PRY-STD-001		
3		HEAT TREAT N/A	No Pcs to Complete Order:		
4			MATERIAL 6061 Alloy	SIZE B	DWG. NO. N13-PRY-STD-XXX Prints
5			FINISH BLACK ANODIZED	REV 0	
6			SCALE: 1:1	WEIGHT: 0.15	
7				SHEET 5 OF 10	
REVISION HISTORY					