



1620 Tool and Instrument Oil

This oil is the same extra-fine lubricant made to our specifications and used in our factory to lubricate and protect our precision measuring tools and instruments. It is also perfect for all mechanics, homeowners, hobbyists and sportsmen who require the finest all-purpose oil.

Special high-refining makes Starrett Tool and Instrument Oil colorless, ensures thorough lubrication of close-fitting parts at high temperatures and below zero and provides a strong lasting film over all areas requiring protection against rust. This oil has not been adulterated by additives for color and odor.

- General purpose lubricant for a wide range of applications
- Ideal for maximum protection and lubrication of measuring tools, precision instruments and light machinery
- Guards highly finished tools, parts and machine surfaces against rust
- Protects firearms, fishing tackle and other sporting equipment and keeps working parts in perfect condition
- Cleans bright metals and polishes furniture
- Starrett oil can also be used for automobile generators, starters, hinges, locks, and springs



Lubricating the slide on a 123 Vernier Caliper assures maximum protection and lubrication of working parts

1620 Tool & Instrument Oil

Description	Catalog No.	EDP
4 fl. oz. (0.1 liter) Plastic Bottle	1620	53216

706 Series Inspection Blocks

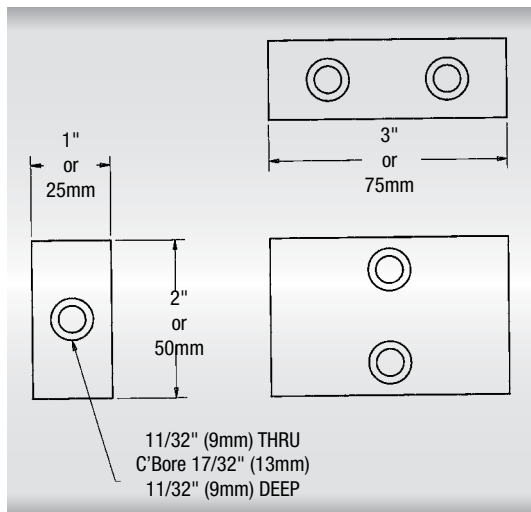
1" x 2" x 3"

706M Series Inspection Blocks

25 x 50 x 75mm

Starrett 1 x 2 x 3" Blocks are manufactured to precision tolerances, and are of great value for all inspection laboratories and in-shop setups where positioning is important.

- High accuracy
- Hardened steel, ground and lapped
- Matched pair available



Inch Blocks

Description	Catalog No.	EDP
Single 1 x 2 x 3 Block in Case	706AZ	57121
Matched Pair Blocks in Case	706BZ	57122

Millimeter Blocks

Single 25 x 50 x 75 Block in Case	706MAZ	64968
Matched Pair in Case	706MBZ	64969

Specifications

Block Dimensions	1" x 2" x 3" (25 x 50 x 75mm)
Parallelism	.0001" (0.003mm)
Squareness	.0001 in/in (0.003mm/25mm)
Hardness	RC 63-65
Flatness	.0001" (0.003mm)