



25, 655 Series Metric Dial Indicators with long range

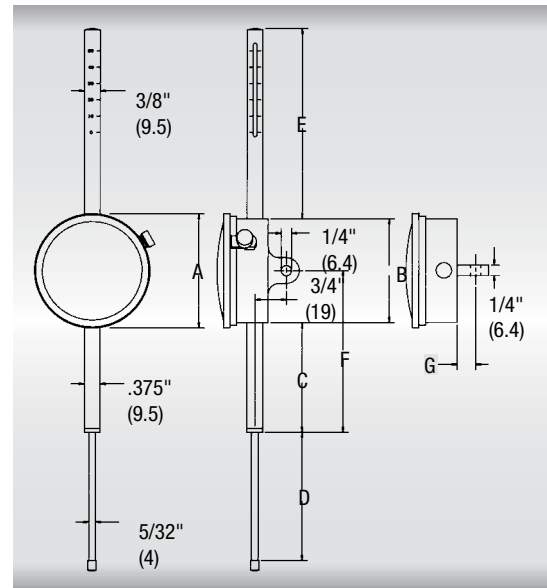
50-125mm ranges

These indicators have a shockless, hardened steel gear train and are furnished with jewel bearings and lug-on-center backs unless otherwise ordered.

- Conforms to AGD specifications except for range
- Furnished with continuous reading double dial
- Direct readout accomplished by (1) graduated top tube which indicates each 10mm of spindle travel, (2) revolution counter which indicates each 1mm full turn of the indicator hand, and (3) indicator hand which shows each 0.01mm of spindle movement



655-2081J



Approximate Dimensions Inch and Millimeter

Catalog No.	A	B	C	D	E	F	G
25-2081J	2-1/4" 57mm	2-1/16" 52mm	1-13/16" 46mm	2-1/16" 52mm	3-3/32" 79mm	2-7/8" 73mm	15/32" 12mm
655-2081J	2-3/4" 70mm	2-1/2" 63.5mm	1-5/8" 41mm	2-1/16" 52mm	3-3/32" 79mm	2-7/8" 73mm	7/16" 11mm
25-3081J	2-1/4" 57mm	2-1/16" 52mm	2-13/16" 71mm	3-1/16" 78mm	4-9/16" 116mm	3-7/8" 98mm	15/32" 12mm
655-3081J	2-3/4" 70mm	2-1/2" 63.5mm	2-5/8" 67mm	3-1/16" 78mm	4-9/16" 116mm	3-7/8" 98mm	7/16" 11mm
25-4081J	2-1/4" 57mm	2-1/16" 52mm	3-13/16" 81mm	4-1/16" 103mm	5-61/64" 151mm	4-7/8" 124mm	15/32" 12mm
655-4081J	2-3/4" 70mm	2-1/2" 63.5mm	3-5/8" 92mm	4-1/16" 103mm	5-61/64" 151mm	4-7/8" 124mm	7/16" 11mm
25-5081J	2-1/4" 57mm	2-1/16" 52mm	4-13/16" 122mm	5-1/16" 129mm	7-1/4" 184mm	5-7/8" 149mm	15/32" 12mm
655-5081J	2-3/4" 70mm	2-1/2" 63.5mm	4-5/8" 117.5mm	5-1/16" 129mm	7-1/4" 184mm	5-7/8" 149mm	7/16" 11mm

25, 655 Metric Dial Indicators with long range

Graduation	AGD Group	Stem Diameter	Range	Dial Reading	Revs. of Hand	Catalog No.	EDP
0.01mm	2	.375" 9.5mm	50mm	0-100	50	25-2081J	56225
	3					655-2081J	56230
	2		75mm		75	25-3081J	56226
	3					655-3081J	56231
	2		100mm		100	25-4081J	56227
	3					655-4081J	56232
	2		125mm		125	25-5081J	56228
	3					655-5081J	56233

Not available with special non-shock mechanism. For contact points, attachments and accessories, refer to the end of the AGD Dial Indicator listings.