

5000, 5001 & 5002 Series Carbon Fiber Calipers

0-40"

- Carbon fiber construction significantly reduces weight, improving maneuverability
- Titanium coated stainless steel outside measurement jaws for long life and superior flatness
- Coolant resistant
- Two preset modes, REF I and REF II, allow setting one mode to a setting master and a second to a zero setting
- Full-featured, sophisticated electronics with RS232 output
- Ideal for use with Starrett DataSure® Wireless Data Collection Systems using a 1500-3A-1N end node
- Will also transmit to PC through cable PT62606

Features & Specifications

- When RS232 cable is installed, mm/inch button functions as a send button
- Single CR2032 lithium battery provides over a year of normal use
- Clamping screw
- Protective wooden case
- Resolution: 0.0005"/0.01mm

5000 & 5002 Only

- mm/inch mode button
- ON/OFF button
- Hold feature will freeze the display when in REF I or REF II mode

5001 Only

- Mode & Set buttons
- Min/Max mode displays values referenced from the present value of the REF mode the tool is in when entering MIN/MAX
- Tolerance mode to set upper and lower measurement tolerances
- Larger displays with more information



B5000BZ-20/500



C5001BZ-40/1000



5002BZ-24/600
Shown with
Conical Tips



Disc Tips

Step Tips

5000 Carbon Fiber Calipers

Cat. No.	EDP	Outside	Weight	Jaw Depth	Measuring Capacities	
					Inside (w/Jaws)	Inside (w/Top Pins)
B5000BZ-20/500	14571	0-20" (0-500mm)	2.43lb (1.10kg)		0.394-20" (10-500mm)	0.787-20" (20-500mm)
B5000BZ-24-600	14572	0-24" (0-600mm)	2.56lb (1.16kg)	4.92" (125mm)	0.394-24" (10-600mm)	0.787-24" (20-600mm)
B5000BZ-40/1000	14573	0-40" (0-1000mm)	3.09lb (1.40kg)		0.394-40" (10-1000mm)	0.787-40" (20-1000mm)

5001 Carbon Fiber Calipers

Cat. No.	EDP	Outside	Weight	Jaw Depth
C5001BZ-40/1000	14574	0-40" (0-1000mm)	5.51lb (2.50kg)	5.906" (150mm)
D5001BZ-60/1500	14575	0-60" (0-1500mm)	7.26lb (3.30kg)	7.875" (200mm)

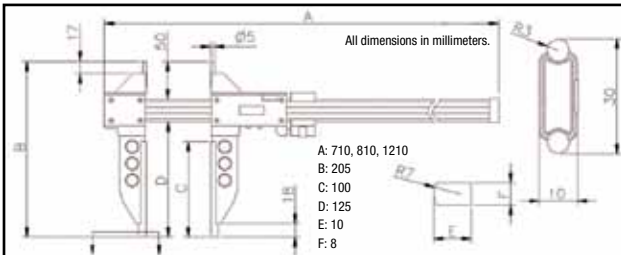
5002 Carbon Fiber Calipers

Cat. No.	EDP	Outside	Weight
5002BZ-16/400	14576	0-16" (0-400mm)	1.65lb (0.75kg)
5002BZ-24/600	14577	0-24" (0-600mm)	1.98lb (0.90kg)
5002BZ-40/1000	14578	0-40" (0-1000mm)	3.31lb (1.50kg)

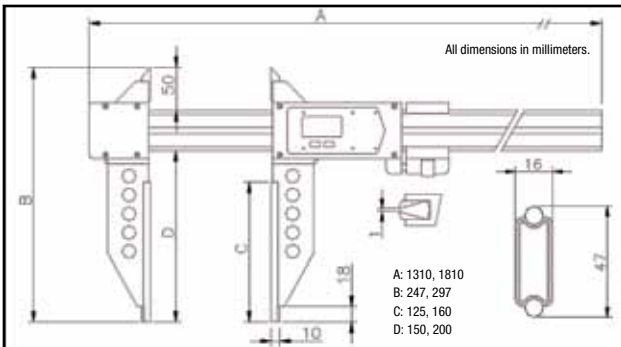
Accessories for 5002 Carbon Fiber Calipers

Cat. No.	EDP	Description
PT06137	12829	Disc Contacts
PT06138	12830	Step Contacts
PT06139	12831	Cone Contacts

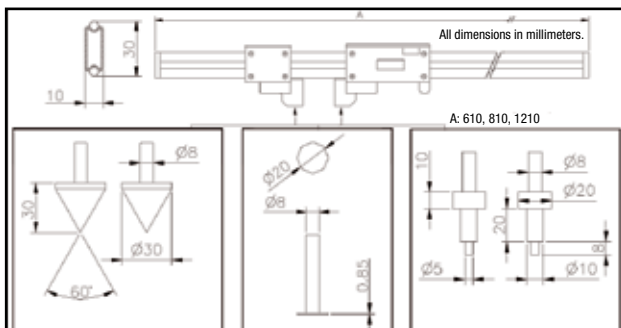
5000 Series Dimensions



5001 Series Dimensions

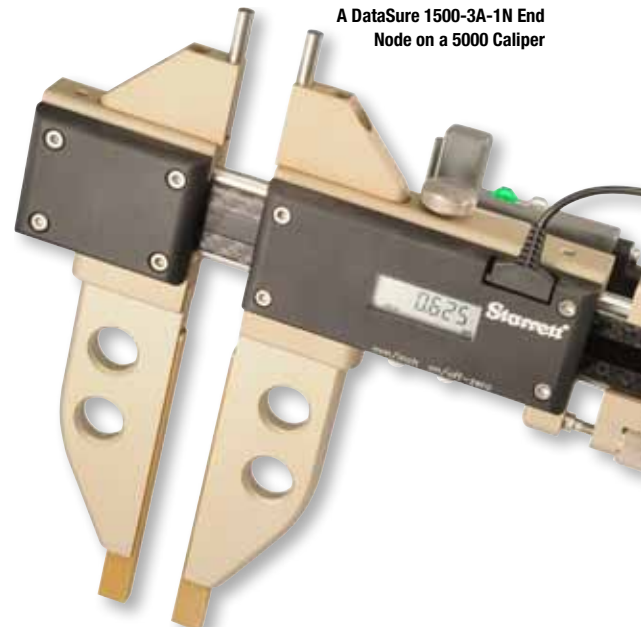


5002 Series Dimensions



Left: Electronic display for 5000 & 5002 Models

Right: Electronic display for 5001 Model



A DataSure 1500-3A-1N End Node on a 5000 Caliper

