



AGD Group 2 25 Series Dial Indicators

Ranges up to 1" and 25mm

These indicators have a shockless, hardened steel gear train and jewel bearings, except where noted. They are furnished with a lug-on-center back. Antimagnetic mechanism is optional for all models. Special non-shock mechanism is available for all models except 25-109, 25-209 and 25-116. For more information on these and other attachments, accessories and contact points, refer to the end of the AGD Dial Indicator listings. For dial styles, see previous pages.

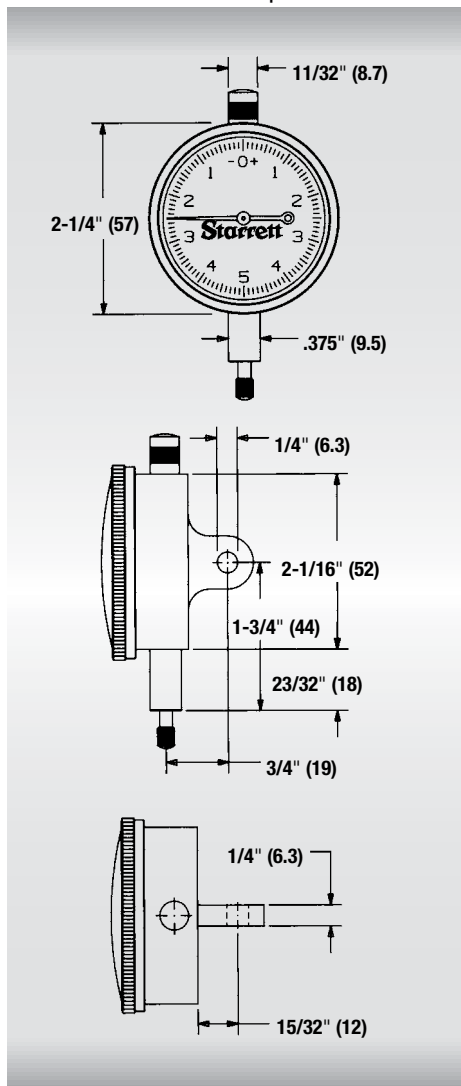
If lift lever is desired, indicator must be ordered with case stem cap.



25-111J



25-161J



25 Dial Indicators with Jewel Bearings

Graduation	Range		Dial Reading	Stem Dia.	Catalog No.	EDP
	One Rev.	Total				
0.001mm	0.1mm	0.25mm	0-50-0	.375" 8mm	25-151J 25-151J-8	67644 68646
			0-100	.375" 8mm	25-251J 25-251J-8	68118 68647
0.002mm	0.2mm	0.5mm	0-10-0	.375" 8mm	25-161J 25-161J-8	53250 64651
			0-20	.375" 8mm	25-261J 25-261J-8	53281 64652
0.005mm	0.5mm	1.25mm	0-25-0	.375" 8mm	25-171J	68643
0.01mm	1.0mm	2.5mm	0-50-0	.375" 8mm	25-181J 25-181J-8	53252 64653
			0-100	.375" 8mm	25-281J 25-281J-8	53283 64654
		10mm	0-50-0	.375" 8mm	25-381J 25-381J-8	53289 64655
			0-100	.375" 8mm	25-481J 25-481J-8	53297 64656
		25mm	0-50-0	.375" 8mm	25-781J 25-781J-8	53305 64657
			0-100	.375" 8mm	25-881J 25-881J-8	53307 64658

Free drafting template available for this size.
Write The L.S. Starrett Co., Athol, MA 01331.