



AGD Group 4

656 Series Dial Indicators with extra long range

6-12" ranges

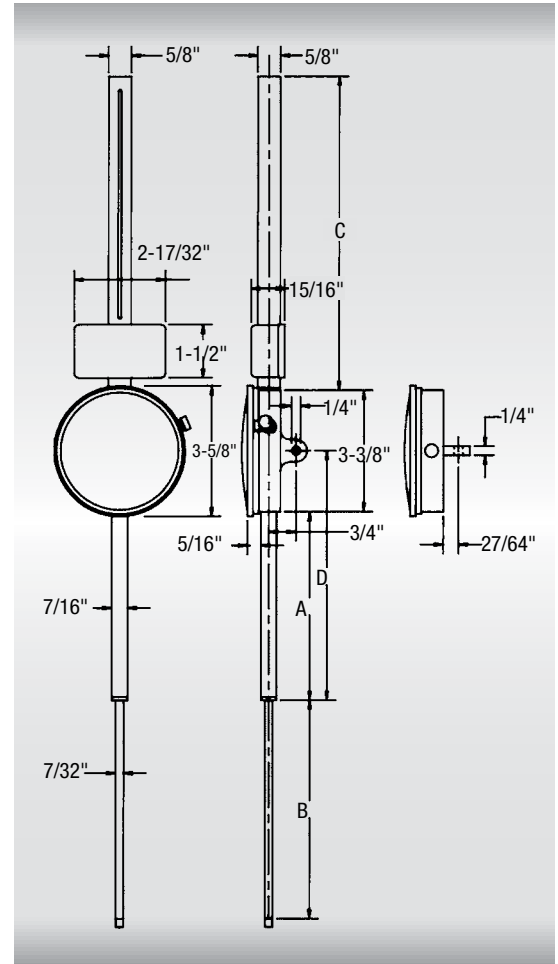
These indicators have a shockless, hardened steel gear train and are furnished with jewel bearings and lug-on-center backs unless otherwise ordered.

- Use anywhere a long reach is needed – positioning of stops, measuring travel of slides and cam throws, and use in deep slots or holes
- Conforms to AGD specifications except for range, stems and contact point
- Top stem graduated in 1" increments, called out by red colored pointer
- Furnished with continuous reading double dial with direct reading count hand

NOTE: Not available with special non-shock mechanism. For contact points, attachments and accessories, refer to the end of the AGD Dial Indicator Section.



656-6041J



Dimensions				
Catalog No.	A	B	C	D
656-6041J	5-1/4"	6-1/16"	8-3/4"	6-15/16"
656-7041J	6-1/4"	7-1/16"	9-3/4"	7-15/16"
656-8041J	7-1/4"	8-1/16"	10-3/4"	8-15/16"
656-9041J	8-1/4"	9-1/16"	11-3/4"	9-15/16"
656-10041J	9-1/4"	10-1/16"	12-3/4"	10-15/16"
656-11041J	10-1/4"	11-1/16"	13-3/4"	11-15/16"
656-12041J	11-1/4"	12-1/16"	14-3/4"	12-15/16"

656 Dial Indicators with extra-long range							
Graduation	AGD Group	Dial Diameter	Range	Dial Reading	Revs. of Hand	Catalog No.	EDP
.001"	4	3-5/8"	6.000"	0-100	60	656-6041J	53803
			7.000"		70	656-7041J	53804
			8.000"		80	656-8041J	53805
			9.000"		90	656-9041J	53806
			10.000"		100	656-10041J	53807
			11.000"		110	656-11041J	53808
			12.000"	120		656-12041J	53809