



AGD Group 4

656 Series Dial Indicators

Ranges up to 1" and 25mm

These indicators have a shockless, hardened steel gear train and jewel bearings. They are furnished with a lug-on-center back. Antimagnetic mechanism is optional for all models. Special non-shock mechanism is available for all models except 656-109 and 656-209. For more information on these and other attachments, accessories and contact points, refer to the end of the AGD Dial Indicator listings. For dial styles, see previous pages.

If lift lever is desired, indicator must be ordered with case stem cap.



656-111J



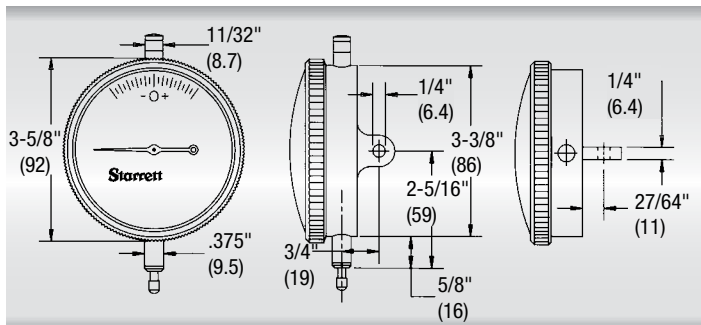
656-161J-8

656 Dial Indicators

Graduation	Range One Rev.	Total	Dial Reading	Catalog No.	EDP
.00005"	.006"	.015"	0-3-0	656-109J	53661
			0-6	656-209J	53694
.0001"	.008"	.020"	0-4-0	656-118J	53664
			0-5-0	656-111J	53662
	.010"	.025"	0-10	656-211J	53695
			0-5-0	656-511J	53791
	.020"	.400"	0-10	656-611J	53795
			0-10-0	656-517J	53793
.010"	.025"	0-20	656-617J	53797	
		0-5-0	656-124J	53666	
.00025"	.020"	.050"	0-10	656-224J	53697
			0-10-0	656-128J	53668
	.030"	.075"	0-20	656-228J	53699
			0-15-0	656-129J	53670
	.020"	.050"	0-30	656-229J	53701
			0-10-0	656-134J	53674
.0005"	.030"	.075"	0-20	656-234J	53705
			0-15-0	656-136J	53676
	.040"	.100"	0-30	656-236J	53707
			0-20-0	656-138J	53678
	.050"	.125"	0-40	656-238J	53709
			0-25-0	656-131J	53672
0-50	656-231J	53703			
.001"	.020"	.050"	0-10-0	656-142J	53682
			0-20	656-242J	53713
	.030"	.075"	0-15-0	656-143J	53684
			0-30	656-243J	53715
	.040"	.100"	0-20-0	656-144J	53686
			0-40	656-244J	53717
	.050"	.125"	0-25-0	656-145J	53688
			0-50	656-245J	53719
	.100"	.250"	0-50-0	656-141J	53680
			0-100	656-241J	53711
		.500"	0-50-0	656-341/5J	53783
			0-100	656-441/5J	53787
1.000"		0-50-0	656-341J	53785	
		0-100	656-441J	53789	

656 Dial Indicators

Graduation	Range One Rev.	Total	Dial Reading	Stem Dia.	Catalog No.	EDP
0.002mm	0.2mm	0.5mm	0-10-0	.375" 8mm	656-161J 656-161J-8	53690 64870
			0-20	.375" 8mm	656-261J 656-261J-8	53779 64871
0.01mm	1.0mm	2.5mm	0-50-0	.375" 8mm	656-181J 656-181J-8	53692 64872
			0-100	.375" 8mm	656-281J 656-281J-8	53781 64873
		25mm	0-100	.375" 8mm	656-881J 656-881J-8	56234 64874



Free drafting template available for this size.
Write The L.S. Starrett Co., Athol, MA 01331.