

**26⁴
5
DAYS** with **ZEISS SPECTRUM**
with **0** RETURNS
CUSTOMER SATISFACTION



ZEISS SPECTRUM Family

Upgrade to trusted measuring results

MSI 
VIKING
Total Metrology Solutions

 msi-viking.com



Seeing beyond

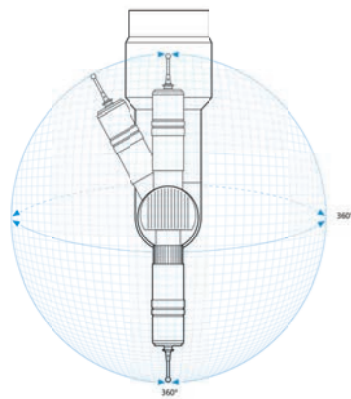
ZEISS SPECTRUM

Key Characteristics

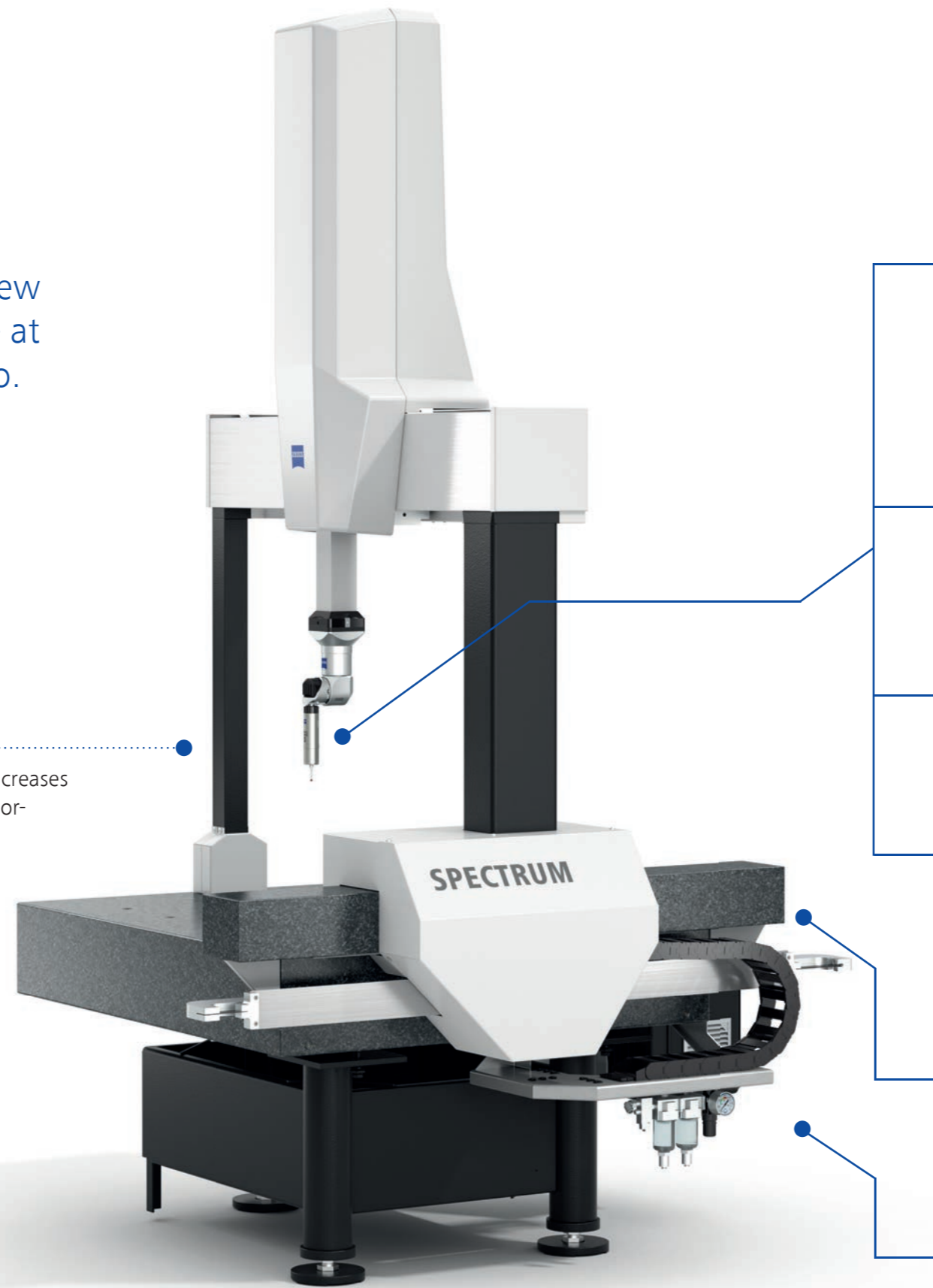
With the ZEISS SPECTRUM coordinate measuring machine you will enter a new level of precision and trusted results – at an unmatched price-performance ratio.

Unmatched scanning technology

The combination of ZEISS VAST XXT and ZEISS RDS C5 CAA increases the reliability and reduces operation time of measurements enormously. It also enables a wide range of measurement tasks.



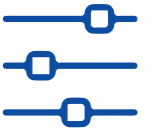
5 degree
5,184 possible angles



Tailored for your application

Flexibility via three different sensors

ZEISS direct XDT
ZEISS direct VAST XXT
ZEISS RDS C5 CAA VAST XXT
Covered by five sizes



Better data quality

with ZEISS VAST XXT

Form measurement error for roundness with a RONt of 1.8 μm for 5/5/6



Get a great value

Highest quality from leading technology

with a MPE_{E0} of 1.9+L/250 μm for 5/5/6



Cost effectiveness

Get the fastest qualification time in class

ZEISS RDS C5 including CAA allows a qualified system of all 5,184 possible angles in approx. 12 minutes.



Reliability

Floating mounted **glass ceramic scales** for eliminating the temperature scale deflection, meaning temperature sensors are not required.



Small footprint

Backpack controller, as well as passive damping system and earthquake protection.



ZEISS SPECTRUM plus

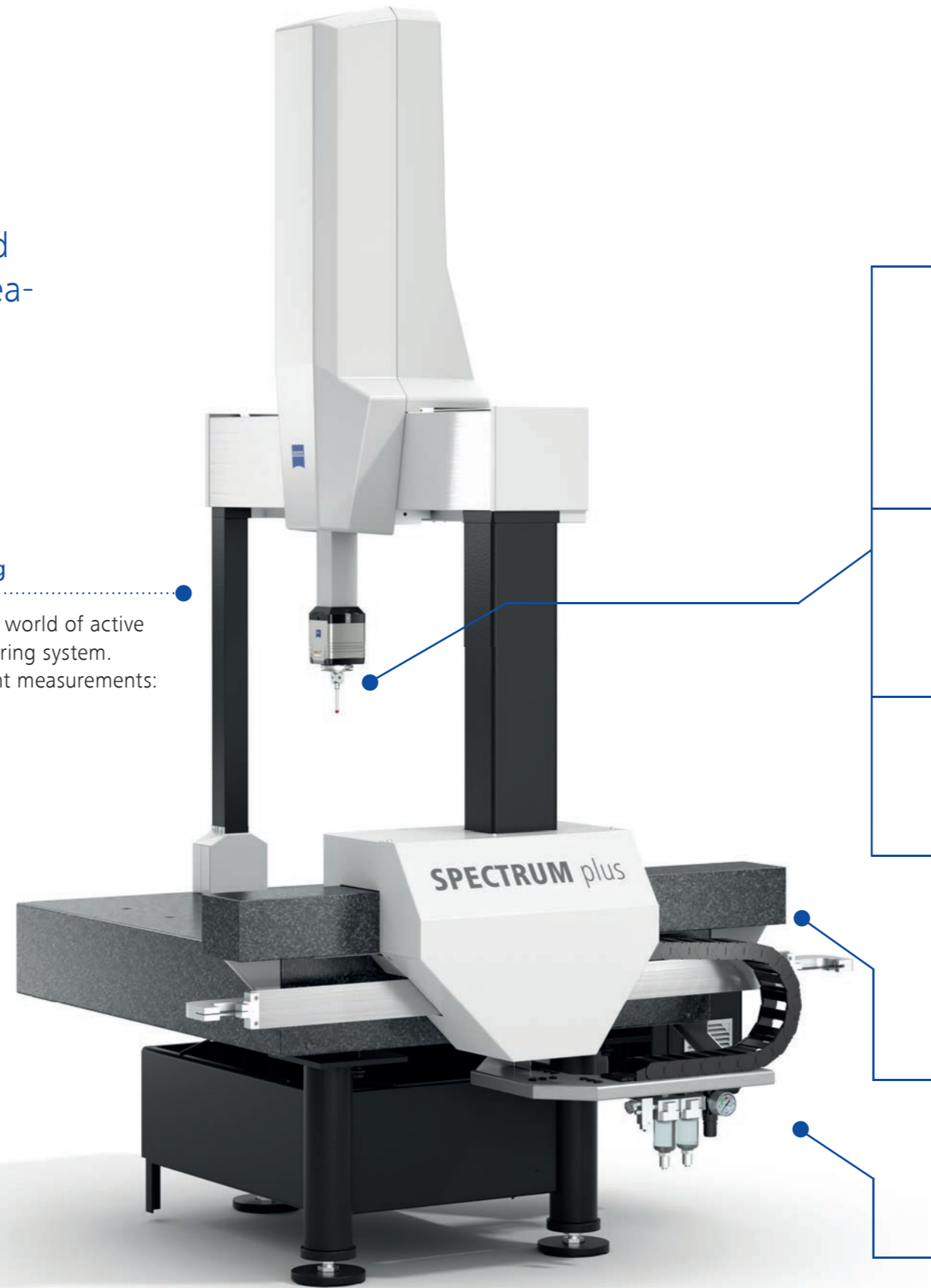
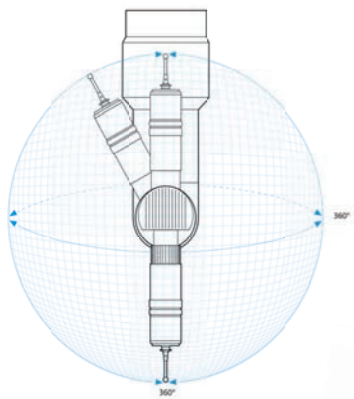
Key Characteristics

ZEISS SPECTRUM plus opens the world of active scanning. The coordinate measuring machine offers more reliability, stability, capability and flexibility.

ZEISS VAST XT gold: Entering the world of active scanning

ZEISS VAST XT gold provides the foundation for entry into the world of active scanning technology. The sensor features an additional measuring system. Besides the active scanning, this sensor also allows single-point measurements: the sensor enables the flexible use of complex stylus systems.

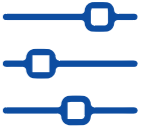
ZEISS SPECTRUM plus is also available with ZEISS RDS C CAA including VAST XXT.



Tailored for your application

Flexibility via different sensor options

ZEISS direct VAST XXT
ZEISS RDS C CAA including VAST XXT
ZEISS VAST XT gold
Covered by five sizes



Get more performance

with ZEISS VAST XT gold

Form measurement error for roundness with a RONT of 1.8 μm for 5/5/6



Get the best value in this class

Highest quality from leading technology

with a MPE_{E0} of 1.8+L/300 μm for 5/5/6



Get faster

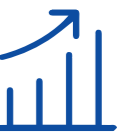
More possibilities - fastest qualification

ZEISS RDS C including CAA allows a qualified system of all 20,736 possible angles in approx. 12 minutes.



Reliability

Floating mounted glass ceramic scales for eliminating the temperature scale deflection, meaning temperature sensors are not required.



Small footprint

Backpack controller, as well as passive damping system and earthquake protection.



2.5 degree
20,736 possible angles

ZEISS SPECTRUM

Sensors and Sizes



For fast & easy measurement

**ZEISS SPECTRUM
with ZEISS direct XDT**
Single Point Measurement

Sizes:
5/5/6
7/7/6
7/10/6
10/12/6
10/16/6



For higher data quality

**ZEISS SPECTRUM
with ZEISS direct VAST XXT**
Scanning Technology

Sizes:
5/5/6
7/7/6
7/10/6
10/12/6
10/16/6



For complex parts

**ZEISS SPECTRUM
with ZEISS RDS C5 CAA
including ZEISS VAST XXT**
Scanning Technology with
articulating probe and CAA
(Computer Aided Accuracy)
for faster operating time

Sizes:
5/5/6
7/7/6
7/10/6
10/12/6
10/16/6



ZEISS SPECTRUM plus

Sensors and Sizes



For higher data quality

**ZEISS SPECTRUM plus
with ZEISS direct VAST XXT**
Scanning Technology

Sizes:
5/5/6
7/7/6
7/10/6
10/12/6
10/16/6



For even more angular positions

**ZEISS SPECTRUM plus
with ZEISS RDS C CAA
including ZEISS VAST XXT**
Scanning Technology with
articulating probe and CAA
(Computer Aided Accuracy)
for faster operating time

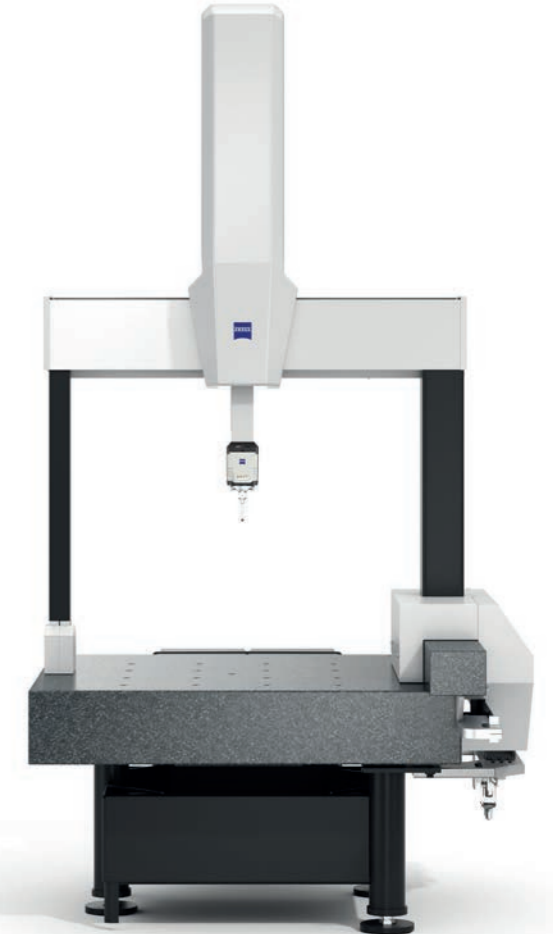
Sizes:
5/5/6
7/7/6
7/10/6
10/12/6
10/16/6



For active scanning

**ZEISS SPECTRUM plus
with ZEISS VAST XT gold**
Active scanning &
single point measurement

Sizes:
5/5/6
7/7/6
7/10/6
10/12/6
10/16/6



Connect to Productivity and manufacture a better future

**Carl Zeiss
Industrielle Messtechnik GmbH**
73446 Oberkochen/Germany

Vertrieb: +49 7364 20-6336
Service: +49 7364 20-6337
Fax: +49 7364 20-3870
info.metrology.de@zeiss.com
www.zeiss.de/imt

More information on:
www.zeiss.com/spectrum

